

## Line Frequency Capacitors 50 Hz / 60 Hz Self-Healing Technology



### FEATURES

- Self-healing technology
- High quality materials
- Over pressure switch
- Massive connection studs (M12 or M20)

### APPLICATIONS

- Induction furnaces and heaters
- Improve power factor
- Tune special furnace circuits

### STANDARDS

- IEC CEI 60110-1

### Note

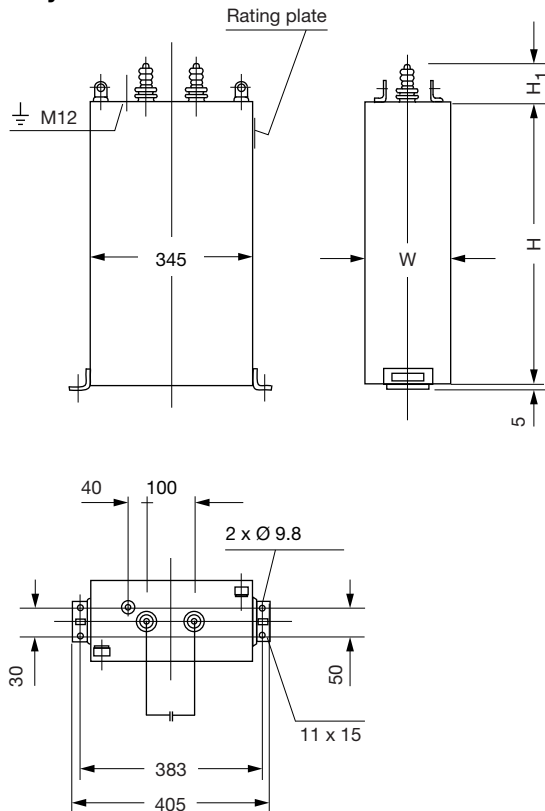
- Capacitor in accordance with other standards available upon request

QUICK REFERENCE DATA	
Series	PhMKP... line frequency
Description	Line frequency capacitors, indoor
Type	Capacitors, induction heating
Technology	Self-healing / metallized polypropylene film
Voltage min. (V)	200
Voltage max. (V)	900
Frequency min. (Hz)	50
Frequency max. (Hz)	60
Output min. (kvar)	10
Output max. (kvar)	675

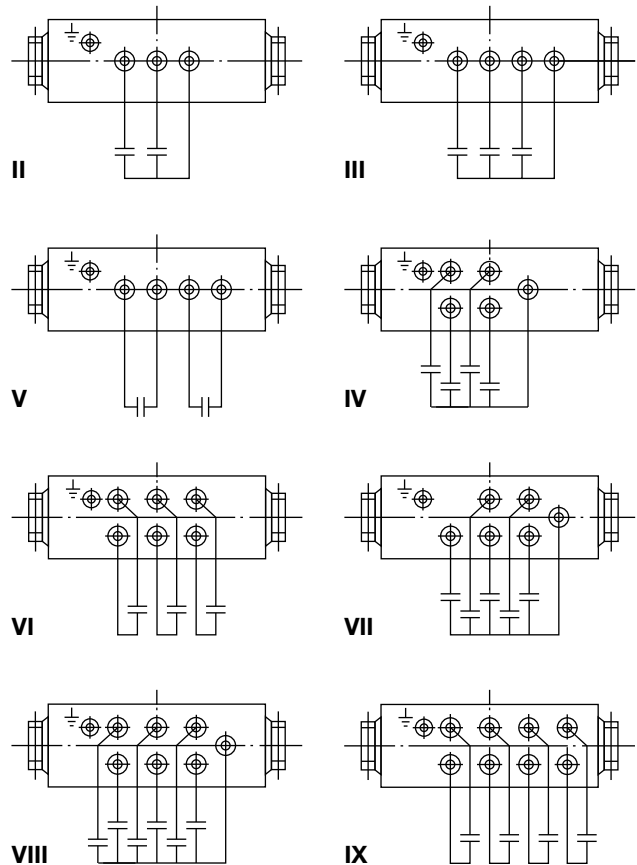
TECHNICAL DATA	
Internal connection	Single phase (dead case), Circuitry I to IX
Discharge resistor	Available
Temperature category	-25 °C to +45 °C
Capacitance tolerance	-5 % / +5 %
Dielectric	Metallized polypropylene film
Impregnating agent	Castor oil; wet / resin; dry
Protection	Pressure monitoring device
Standards	IEC CEI 60110-1
Cooling system	Self-cooling, water-cooled capacitors can be supplied upon request
Bushings	Porcelain, screw type, M12 / M20
Casing	Stainless steel / brass sheet welded
Mounting	Upright or horizontally position
Standard color	RAL 7033 / other colors available upon request

## FORMS OF CONSTRUCTION

### Circuitry I:



### Additional Circuitry Versions:



Standard case dimensions: 345 mm x 135 mm / 175 mm x H mm (other dimensions upon request)

DIMENSIONS AND WEIGHT						
RATED VOLTAGE $U_N$ (V)	OUTPUT $Q_n$ AT 50 Hz (kvar)	CURRENT AT 50 Hz (A)	BUSHING	CASING DIMENSIONS L x W x H (mm)	WEIGHT (kg)	CIRCUITRY
200	200	1000	M12	345 x 135 x 900	65	VII
250	250	1000	M12	345 x 135 x 720	53	VII
400	400	1000	M12	345 x 135 x 650	49	VII
500	500	1000	M12	345 x 135 x 910	66	VII
600	510	850	M12	345 x 135 x 970	69	VII
800	600	750	M12	345 x 135 x 750	55	VII
900	630	700	M12	345 x 135 x 910	66	VII

### Notes

- 60 Hz on request
- Shown are the maximum power ratings.  
Other ratings, voltages, and subdivision are available on request



TYPE NOMENCLATURE																		
P	h	M	K	P	g	w	850	/	500	/	1	S	-	DR	-	60 Hz	-	EW
1	2		3	4	5	6		7	8	9		10		11				
1	2	3	4	5	6	7	8	9	10	11								
Ph: power capacitor	MKP: metallized polypropylene film	g: dry n. E.: oil filled	w: water cooled n. E.: air cooled	Voltage (V or kV)	Total output (kvar)	1-phase	S: partial outputs n. E.: one output	DR: pressure switch n. E.: without monitoring	60 Hz: frequency n. E.: 50 Hz	EW: discharge resistor n. E.: without discharge device								

**Note**

- n. E. = no entry



## Disclaimer

ALL PRODUCT, PRODUCT SPECIFICATIONS AND DATA ARE SUBJECT TO CHANGE WITHOUT NOTICE TO IMPROVE RELIABILITY, FUNCTION OR DESIGN OR OTHERWISE.

Vishay Intertechnology, Inc., its affiliates, agents, and employees, and all persons acting on its or their behalf (collectively, "Vishay"), disclaim any and all liability for any errors, inaccuracies or incompleteness contained in any datasheet or in any other disclosure relating to any product.

Vishay makes no warranty, representation or guarantee regarding the suitability of the products for any particular purpose or the continuing production of any product. To the maximum extent permitted by applicable law, Vishay disclaims (i) any and all liability arising out of the application or use of any product, (ii) any and all liability, including without limitation special, consequential or incidental damages, and (iii) any and all implied warranties, including warranties of fitness for particular purpose, non-infringement and merchantability.

Statements regarding the suitability of products for certain types of applications are based on Vishay's knowledge of typical requirements that are often placed on Vishay products in generic applications. Such statements are not binding statements about the suitability of products for a particular application. It is the customer's responsibility to validate that a particular product with the properties described in the product specification is suitable for use in a particular application. Parameters provided in datasheets and / or specifications may vary in different applications and performance may vary over time. All operating parameters, including typical parameters, must be validated for each customer application by the customer's technical experts. Product specifications do not expand or otherwise modify Vishay's terms and conditions of purchase, including but not limited to the warranty expressed therein.

Hyperlinks included in this datasheet may direct users to third-party websites. These links are provided as a convenience and for informational purposes only. Inclusion of these hyperlinks does not constitute an endorsement or an approval by Vishay of any of the products, services or opinions of the corporation, organization or individual associated with the third-party website. Vishay disclaims any and all liability and bears no responsibility for the accuracy, legality or content of the third-party website or for that of subsequent links.

Except as expressly indicated in writing, Vishay products are not designed for use in medical, life-saving, or life-sustaining applications or for any other application in which the failure of the Vishay product could result in personal injury or death. Customers using or selling Vishay products not expressly indicated for use in such applications do so at their own risk. Please contact authorized Vishay personnel to obtain written terms and conditions regarding products designed for such applications.

No license, express or implied, by estoppel or otherwise, to any intellectual property rights is granted by this document or by any conduct of Vishay. Product names and markings noted herein may be trademarks of their respective owners.