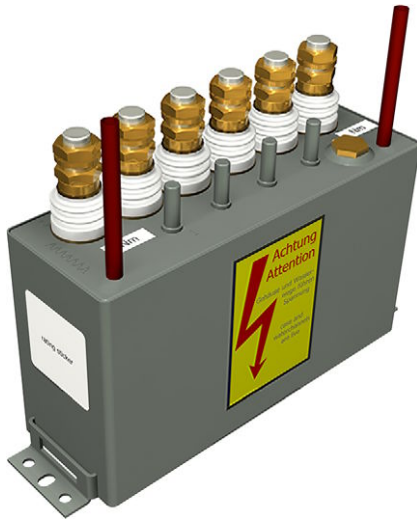


Medium Frequency Capacitors, Water Cooled All-Film Technology up to 100 000 Hz



FEATURES

- Dielectric liquid biodegradable
- High quality materials
- Massive connection studs (M12 or M20)

APPLICATIONS

- Induction furnaces and heaters
- Improve power factor
- Tune special furnace circuits

STANDARDS

- IEC CEI 60110-1

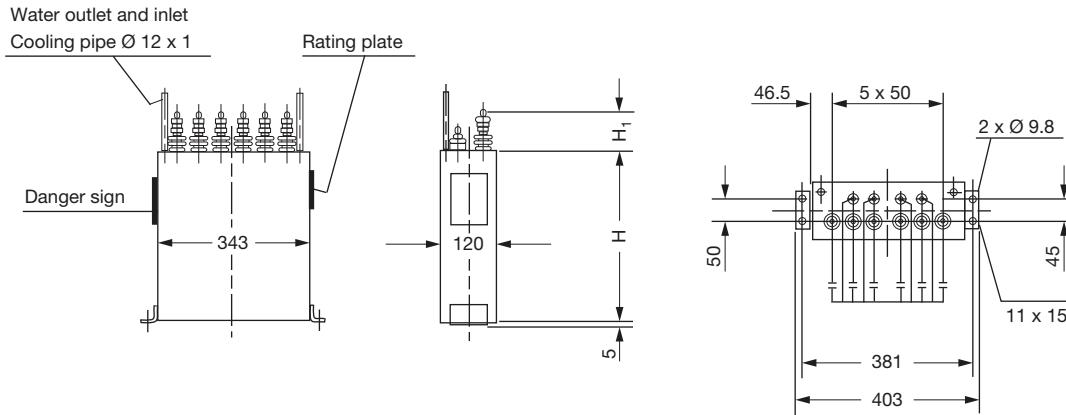
Note

- Capacitor in accordance with other standards available upon request

QUICK REFERENCE DATA	
Series	Phawoc medium frequency capacitors
Description	Medium frequency capacitors, water cooled, indoor
Type	Capacitors, induction heating
Technology	All-film polypropylene / aluminum foil
Voltage min. (V)	250
Voltage max. (V)	1000
Frequency min. (Hz)	10 000
Frequency max. (Hz)	100 000
Output min. (kvar)	100
Output max. (kvar)	2000

TECHNICAL DATA	
Internal connection	Live case
Temperature category	+1 °C to +50 °C
Capacitance tolerance	-10 % / +10 %
Dielectric	All-film polypropylene / aluminum foil
Impregnating agent	Synthetic oil (non-PCB)
Protection	Pressure monitoring device / thermostat
Standards	IEC CEI 60110-1
Cooling system	Water cooling, outflowing water temperature 40 °C maximum
Bushings	Porcelain, screw type, M12 / M20
Casing	Brass sheet welded
Mounting	Upright or horizontally position
Standard color	RAL 7033 / other colors available upon request
Erection	Indoor

FORMS OF CONSTRUCTION



Standard case dimensions: 343 mm x 120 mm x H mm

DIMENSIONS AND WEIGHT						
FREQUENCY f (Hz)	RATED VOLTAGE U_N (V)	OUTPUT Q_n (kvar)	CURRENT (A)	BUSHING	CASING DIMENSIONS L x W x H (mm)	WEIGHT (kg)
10 000	500	980	1960	M12 / M20	343 x 120 x 300	21
10 000	1000	1970	1970	M12 / M20	343 x 120 x 250	19
20 000	500	900	1800	M12 / M20	343 x 120 x 250	19
20 000	1000	1800	1800	M12 / M20	343 x 120 x 200	16
30 000	500	840	1680	M12 / M20	343 x 120 x 250	19
30 000	1000	1700	1700	M12 / M20	343 x 120 x 250	19
40 000	500	810	1620	M12 / M20	343 x 120 x 200	16
40 000	1000	1620	1620	M12 / M20	343 x 120 x 200	16
50 000	500	1020	2040	M12 / M20	343 x 120 x 200	16
50 000	1000	1570	1570	M12 / M20	343 x 120 x 200	16
60 000	500	760	1520	M12 / M20	343 x 120 x 200	16
60 000	1000	1520	1520	M12 / M20	343 x 120 x 200	16
80 000	500	720	1440	M12 / M20	343 x 120 x 200	16
80 000	1000	1450	1450	M12 / M20	343 x 120 x 250	19
100 000	500	700	1400	M12 / M20	343 x 120 x 250	19
100 000	1000	1050	1050	M12 / M20	343 x 120 x 250	19

Note

- Shown are the maximum power ratings.
Other ratings, voltages, and subdivision are available on request

TYPE NOMENCLATURE													
P	h	a	w	o	c	750	/	1800	/	10k	S	-	KL
1	2	3	4	5	6	7	8	9	10				
Ph: power capacitor	a: all film dielectric	w: water cooled	o: non PCB impregnating agent	Special type for higher frequencies	Voltage (V or kV)	Total output (kvar)	Frequency (kHz)	S: partial outputs	KL: PTC resistor n. E.: no device				

Note

- n. E. = no entry



Disclaimer

ALL PRODUCT, PRODUCT SPECIFICATIONS AND DATA ARE SUBJECT TO CHANGE WITHOUT NOTICE TO IMPROVE RELIABILITY, FUNCTION OR DESIGN OR OTHERWISE.

Vishay Intertechnology, Inc., its affiliates, agents, and employees, and all persons acting on its or their behalf (collectively, "Vishay"), disclaim any and all liability for any errors, inaccuracies or incompleteness contained in any datasheet or in any other disclosure relating to any product.

Vishay makes no warranty, representation or guarantee regarding the suitability of the products for any particular purpose or the continuing production of any product. To the maximum extent permitted by applicable law, Vishay disclaims (i) any and all liability arising out of the application or use of any product, (ii) any and all liability, including without limitation special, consequential or incidental damages, and (iii) any and all implied warranties, including warranties of fitness for particular purpose, non-infringement and merchantability.

Statements regarding the suitability of products for certain types of applications are based on Vishay's knowledge of typical requirements that are often placed on Vishay products in generic applications. Such statements are not binding statements about the suitability of products for a particular application. It is the customer's responsibility to validate that a particular product with the properties described in the product specification is suitable for use in a particular application. Parameters provided in datasheets and / or specifications may vary in different applications and performance may vary over time. All operating parameters, including typical parameters, must be validated for each customer application by the customer's technical experts. Product specifications do not expand or otherwise modify Vishay's terms and conditions of purchase, including but not limited to the warranty expressed therein.

Hyperlinks included in this datasheet may direct users to third-party websites. These links are provided as a convenience and for informational purposes only. Inclusion of these hyperlinks does not constitute an endorsement or an approval by Vishay of any of the products, services or opinions of the corporation, organization or individual associated with the third-party website. Vishay disclaims any and all liability and bears no responsibility for the accuracy, legality or content of the third-party website or for that of subsequent links.

Except as expressly indicated in writing, Vishay products are not designed for use in medical, life-saving, or life-sustaining applications or for any other application in which the failure of the Vishay product could result in personal injury or death. Customers using or selling Vishay products not expressly indicated for use in such applications do so at their own risk. Please contact authorized Vishay personnel to obtain written terms and conditions regarding products designed for such applications.

No license, express or implied, by estoppel or otherwise, to any intellectual property rights is granted by this document or by any conduct of Vishay. Product names and markings noted herein may be trademarks of their respective owners.