

## LVAC Power Capacitors



### FEATURES

- Self-healing technology
- Over pressure tear-off fuse
- Aluminum case
- Two versions available: oil-filled and dry, gas filled
- UL and ULc approved
- Material categorization: for definitions of compliance please see [www.vishay.com/doc?99912](http://www.vishay.com/doc?99912)



**RoHS**  
COMPLIANT  
HALOGEN  
**FREE**  
**GREEN**  
(5-2008)

### APPLICATIONS

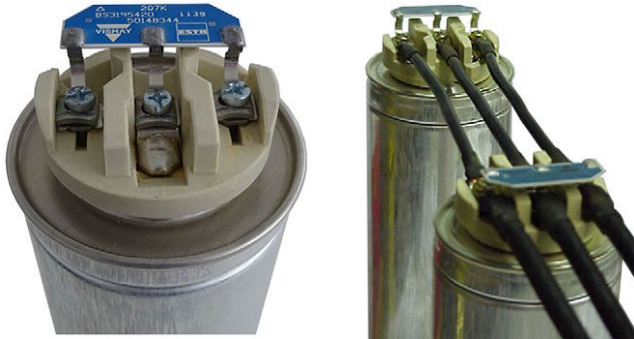
- Wind power plants
- Solar panels and inverters
- Thermal power station
- Power factor correction  $\leq 1000$  VAC
- Harmonic filter



QUICK REFERENCE DATA		
Series	PhMKP..., cylindrical	PhMKPg..., cylindrical
Description	LVAC power capacitors - oil - <b>INDOOR</b> , IP00	LVAC power capacitors - dry - <b>INDOOR</b> , IP00
Type	Capacitors, fixed, low voltage	Capacitors, fixed, low voltage
Technology	MKP, metallized polypropylene film	MKP, metallized polypropylene film
Voltage max. (V)	1000	1000
Capacitance min.	3-phase D: 3 x 20.3 $\mu$ F, 1-phase: 165.7 $\mu$ F	3-phase D: 3 x 20.3 $\mu$ F
Capacitance max.	3-phase D: 3 x 300.9 $\mu$ F, 1-phase: 332.2 $\mu$ F	3-phase D: 3 x 300.9 $\mu$ F
Output min. (kvar)	3-phase: 8.33 1-phase: 5	3-phase: 8.33
Output max. (kvar)	3-phase: 30 1-phase: 20	3-phase: 30

## CAPACITORS IN CYLINDRICAL CASINGS, IP00

### 1-/3-PHASE CAPACITOR, IP00 SCREW-TYPE TERMINALS 84.4 mm DIAMETER



#### DESIGN

The Vishay ESTA PhMKP / PhMKPg series of power factor correction capacitors in cylindrical aluminum casings with IP00 screw terminal are available in 84 mm diameter design.

The Vishay ESTA LVAC MKP capacitors are metallized polypropylene film capacitors with self-healing properties. The current-carrying metal layer of an MKP capacitor is vaporized onto one side of the polypropylene film. The front surface of tubular winding elements are joined by means of the metal spray method (schooping). Three winding elements are encapsulated in one aluminum casing and connected to form a true 3-phase capacitor. The overpressure tear-off fuse prevents the capacitor from bursting at the end of service life, or due to inadmissible electrical or thermal overloads.

The capacitor is housed in a tubular aluminum container with an aluminum lid press-rolled onto it. The current is supplied via an IP00 screw terminal. A threaded stud (M12) at the bottom of the container serves for both grounding and mounting.

The Vishay ESTAprop and ESTAdry capacitors will be delivered together with discharge resistors and hardware for mounting.

The entire range of Vishay ESTA LVAC products are offered in both natural oil-filled ESTAprop PhMKP and gas-filled ESTAdry PhMKPg versions.

TECHNICAL DATA	
STANDARDS	IEC 60831-1 + 2, EN 60831- 1 + 2, UL 810 LATEST EDITIONS, UL / ULc - FILE E97723
Overvoltages (in accordance with the above standards)	$U_{cn} + 10\%$ (up to 8 h daily) $U_{cn} + 15\%$ (up to 30 min daily) $U_{cn} + 20\%$ (up to 5 min, only 200 times in the life of the capacitor) $U_{cn} + 30\%$ (up to 1 min, only 200 times in the life of the capacitor) <b>Please also refer to "Terms and Definitions".</b>
Overcurrent (in accordance with the above standards)	$1.3 \times I_n$ , $1.43 \times I_n$ with 10 % over capacitance and continuous operation <b>Please also refer to "Terms and Definitions".</b>
Tolerance on capacitance	- 5 % / + 10 % in accordance with the standards ± 5 % as Vishay ESTA standard
Test voltage, terminal / terminal	$2.15 \times U_{cn}$ , VAC, 2 s (routine test)
Test voltage, terminal / casing	4800 VAC, 2 s (routine test)
Inrush current	300 times rated current $I_n$
Losses	≤ 0.25 W/kvar to 0.45 W/kvar (without discharge resistors)
Statistical life expectancy <sup>(1)</sup>	> 150 000 operating h (ESTAprop) > 130 000 operating h (ESTAdry)
Degree of protection	IP00 (terminal cover for higher protection class upon request), Indoor
Ambient temperature category	-40 / D (max. 55 °C) as highest temperature category, specified by the standard
Permitted casing temperature	Max. 65 °C (measured on top of the can)
Cooling	Naturally air-cooled
Permissible relative humidity	Maximum 95 %
Maximum allowed altitude	2000 m above sea level without any derating of the capacitor to be considered. Otherwise even altitudes > 2000 m possible
Mounting position	Vertical and horizontal <sup>(2)</sup>
Mounting and grounding	Threaded M12 stud at the bottom of the container, 10 Nm
Safety features	All-phase overpressure tear-off fuse, self-healing
Casing	Aluminum can
Dielectric	Polypropylene film, self-healing
Filling agent	Natural oil, non-PCB, biodegradable (ESTAprop) or dry / gas - filled (ESTAdry)
Terminal	IP00 M5 screw terminals (D-203), <b>2.0 Nm, max. 25 mm<sup>2</sup></b> cable cross section feed through connection Max. current of the terminal: 3 x 90 A

#### Notes

- (1) Statements about product lifetime are based on calculations and internal testing. They should only be interpreted as estimations. Also due to external factors, the lifetime in the field application may deviate from the calculated lifetime. In general, nothing stated herein shall be construed as a guarantee of quality or durability
- (2) When placing in a horizontal position, an adequate mounting support should be used towards the terminal end of the capacitor for support. This is to protect the M12 mounting bolt against breakage due to vibrations and the torque caused by the weight of the capacitor along with the connecting cables. The use of a collecting tray is a good practice in consideration of the very unlikely event of a leaking oil-filled capacitor



## 3-PHASE CAPACITORS

***IP00, OIL***

RATED VOLTAGE 230 V, 50 Hz, DELTA CONNECTION, UL / ULc							
TYPE	ARTICLE NO. (1)	OUTPUT kvar	CAP. $\mu$ F	FUNDAMENTAL CURRENT $I_n$ AT 50 Hz A	DIMENSIONS $\varnothing$ x H mm	WEIGHT kg	DRAWING NO.
PhMKP230.3.10,00-84	5341-44400-xx	10	3 x 200.6	25.1	84.4 x 265	1.7	1
PhMKP230.3.12,50-84	5341-44401-xx	12.5	3 x 250.7	31.4	84.4 x 340	2.0	1
PhMKP230.3.15,00-84	5341-44402-xx	15	3 x 300.9	37.7	84.4 x 340	2.1	1

RATED VOLTAGE 400 V, 50 Hz, DELTA CONNECTION, UL / ULc								
CAN BE USED ALSO FOR 415 V, FULL OVER VOLTAGE RANGE								
TYPE	ARTICLE NO. (1)	OUTPUT kvar 400 V	OUTPUT kvar 415 V	CAP. $\mu$ F	FUNDAMENTAL CURRENT $I_n$ AT 50 Hz A 400 V / 415 V	DIMENSIONS $\varnothing$ x H mm	WEIGHT kg	DRAWING NO.
PhMKP400.3.10,00-84	5341-44403-xx	10	10.8	3 x 66.3	14.4 / 15.0	84.4 x 190	1.3	1
PhMKP400.3.12,50-84	5341-44404-xx	12.5	13.5	3 x 82.9	18.0 / 18.7	84.4 x 190	1.3	1
PhMKP400.3.15,00-84	5341-44405-xx	15	16.1	3 x 99.5	21.6 / 22.4	84.4 x 190	1.3	1
PhMKP400.3.16,70-84	5341-44406-xx	16.7	18.0	3 x 110.7	24.1 / 25.0	84.4 x 265	1.7	1
PhMKP400.3.20,00-84	5341-44407-xx	20	21.5	3 x 132.6	28.8 / 30.0	84.4 x 265	1.7	1
PhMKP400.3.25,00-84	5341-44408-xx	25	26.9	3 x 165.8	36.1 / 37.4	84.4 x 265	1.7	1

RATED VOLTAGE 440 V, 50 Hz, DELTA CONNECTION, UL / ULc								
CAN BE USED ALSO FOR 415 V								
TYPE	ARTICLE NO. (1)	OUTPUT kvar 440 V	OUTPUT kvar 415 V	CAP. $\mu$ F	FUNDAMENTAL CURRENT $I_n$ AT 50 Hz A 440 V / 415 V	DIMENSIONS $\varnothing$ x H mm	WEIGHT kg	DRAWING NO.
PhMKP440.3.12,50-84	5341-44409-xx	12.5	11.1	3 x 68.5	16.4 / 15.5	84.4 x 190	1.3	1
PhMKP440.3.14,10-84	5341-44410-xx	14.1	12.5	3 x 77.0	18.5 / 17.5	84.4 x 190	1.3	1
PhMKP440.3.15,00-84	5341-44411-xx	15	13.3	3 x 82.2	19.7 / 18.6	84.4 x 190	1.3	1
PhMKP440.3.16,90-84	5341-44412-xx	16.9	15	3 x 92.6	22.2 / 20.9	84.4 x 190	1.3	1
PhMKP440.3.18,80-84	5341-44413-xx	18.8	16.7	3 x 103.0	24.7 / 23.3	84.4 x 265	1.7	1
PhMKP440.3.20,00-84	5341-44414-xx	20	17.8	3 x 109.6	26.2 / 24.8	84.4 x 265	1.7	1
PhMKP440.3.22,50-84	5341-44415-xx	22.5	20	3 x 123.3	29.5 / 27.8	84.4 x 265	1.7	1
PhMKP440.3.25,00-84	5341-44416-xx	25	22.2	3 x 137.0	32.8 / 30.9	84.4 x 265	1.7	1
PhMKP440.3.28,10-84	5341-44417-xx	28.1	25	3 x 154.0	36.9 / 34.8	84.4 x 265	1.7	1
PhMKP440.3.30,00-84	5341-44418-xx	30	26.7	3 x 164.4	39.4 / 37.1	84.4 x 340	2.1	1

RATED VOLTAGE 525 V, 50 Hz, DELTA CONNECTION, UL / ULc								
CAN BE USED ALSO FOR 480 V								
TYPE	ARTICLE NO. (1)	OUTPUT kvar 525 V	OUTPUT kvar 480 V	CAP. $\mu$ F	FUNDAMENTAL CURRENT $I_n$ AT 50 Hz A 525 V / 480 V	DIMENSIONS $\varnothing$ x H mm	WEIGHT kg	DRAWING NO.
PhMKP525.3.10,00-84	5341-44419-xx	10	8.33	3 x 38.5	11.0 / 10.1	84.4 x 190	1.3	1
PhMKP525.3.12,50-84	5341-44420-xx	12.5	10.4	3 x 48.1	13.7 / 12.6	84.4 x 190	1.3	1
PhMKP525.3.13,80-84	5341-44421-xx	13.8	11.5	3 x 53.1	15.2 / 13.8	84.4 x 190	1.3	1
PhMKP525.3.15,00-84	5341-44422-xx	15	12.5	3 x 57.7	16.5 / 15.0	84.4 x 190	1.3	1
PhMKP525.3.20,00-84	5341-44423-xx	20	16.7	3 x 77.0	22.0 / 20.1	84.4 x 265	1.7	1
PhMKP525.3.25,00-84	5341-44424-xx	25	20	3 x 96.2	27.5 / 25.1	84.4 x 265	1.7	1

### Notes

- Other voltage ratings, outputs and frequencies upon request. All PhMKP / PhMKPg-type capacitors may also be applied in 60 Hz networks, however the resulting output and current will be 20 % higher in these cases (i.e. additional thermal load and therefore a lower temperature class must be taken into account unless otherwise specified for the capacitor concerned)
- (1) Version no. xx may differ as it respects small changes, e.g. on the label



## 3-PHASE CAPACITORS

***IP00, OIL***

RATED VOLTAGE 660 V, 50 Hz, DELTA CONNECTION, UL / ULc UP TO 660 V								
CAN BE USED ALSO FOR 690 V, FULL OVER VOLTAGE RANGE								
TYPE	ARTICLE NO. <sup>(1)</sup>	OUTPUT kvar 660 V	OUTPUT kvar 690 V	CAP. µF	FUNDAMENTAL CURRENT I <sub>n</sub> AT 50 Hz A 660 V / 690 V	DIMENSIONS Ø x H mm	WEIGHT kg	DRAWING NO.
PhMKP660.3.08,33-84	5341-44425-xx	8.33	9.1	3 x 20.3	7.3 / 7.6	84.4 x 190	1.4	1
PhMKP660.3.10,00-84	5341-44426-xx	10	10.9	3 x 24.4	8.7 / 9.1	84.4 x 190	1.9	1
PhMKP660.3.12,50-84	5341-44427-xx	12.5	13.7	3 x 30.4	10.9 / 11.5	84.4 x 265	1.9	1
PhMKP660.3.15,00-84	5341-44428-xx	15	16.4	3 x 36.5	13.1 / 13.7	84.4 x 265	2.0	1
PhMKP660.3.16,70-84	5341-44429-xx	16.7	18.3	3 x 40.7	14.6 / 15.3	84.4 x 265	2.0	1
PhMKP660.3.20,00-84	5341-44430-xx	20	21.9	3 x 48.7	17.5 / 18.3	84.4 x 340	2.4	1
PhMKP660.3.22,90-84	5341-44431-xx	22.9	25.0	3 x 55.8	20.0 / 20.9	84.4 x 340	2.4	1

RATED VOLTAGE 690 V, 50 Hz, DELTA CONNECTION								
CAN BE USED ALSO FOR 660 V								
TYPE	ARTICLE NO. <sup>(1)</sup>	OUTPUT kvar 660 V	OUTPUT kvar 690 V	CAP. µF	FUNDAMENTAL CURRENT I <sub>n</sub> AT 50 Hz A 690 V / 660 V	DIMENSIONS Ø x H mm	WEIGHT kg	DRAWING NO.
PhMKP690.3.12,50-84	5341-44432-xx	11.4	12.5	3 x 27.9	10.5 / 10.0	84.4 x 265	1.9	1
PhMKP690.3.15,00-84	5341-44433-xx	13.7	15	3 x 33.4	12.6 / 12.0	84.4 x 265	1.9	1
PhMKP690.3.20,00-84	5341-44434-xx	18.3	20	3 x 44.6	16.7 / 16.0	84.4 x 340	2.4	1
PhMKP690.3.25,00-84	5341-44435-xx	22.9	25	3 x 55.7	20.9 / 20.0	84.4 x 340	2.4	1

### Notes

- Other voltage ratings, outputs and frequencies upon request. All PhMKP / PhMKPg-type capacitors may also be applied in 60 Hz networks, however the resulting output and current will be 20 % higher in these cases (i.e. additional thermal load and therefore a lower temperature class must be taken into account unless otherwise specified for the capacitor concerned)
- <sup>(1)</sup> Version no. xx may differ as it respects small changes, e.g. on the label

**Terminal cover (IP20), available for 84.4 mm diameter tubular can type capacitors.  
(Cable gland not available for use with these covers)**

TYPE	ARTICLE NO.	CAPACITOR Ø IN mm
CAP84-88-IN-LINE	5341-COV-84-88IP20	84.4

### Type CAP84-88-IN-LINE

- Protection class IP20
- Protective cover prevents unintentional touching of live terminals
- Proper ventilation is provided by use of additional holes in the protective cover's top
- Six slots located on the cover, three on each side, allow easy IN-LINE connection between two capacitors

TERMINAL COVER IP20: CAP84-88-IN-LINE



IN-LINE CONNECTION BETWEEN TWO CAPACITORS, IP20





3-PHASE CAPACITORS

IP00, DRY

RATED VOLTAGE 230 V, 50 Hz, DELTA CONNECTION, UL / ULc							
TYPE	ARTICLE NO. (1)	OUTPUT kvar	CAP. µF	FUNDAMENTAL CURRENT I <sub>n</sub> AT 50 Hz A	DIMENSIONS Ø x H mm	WEIGHT kg	DRAWING NO.
PhMKPg230.3.10,00-84	5343-44001-xx	10	3 x 200.6	25.1	84.4 x 265	1.4	1
PhMKPg230.3.12,50-84	5343-44002-xx	12.5	3 x 250.7	31.4	84.4 x 340	1.5	1
PhMKPg230.3.15,00-84	5343-44003-xx	15	3 x 300.9	37.7	84.4 x 340	1.7	1

RATED VOLTAGE 400 V, 50 Hz, DELTA CONNECTION, UL / ULc								
CAN BE USED ALSO FOR 415 V, FULL OVER VOLTAGE RANGE								
TYPE	ARTICLE NO. (1)	OUTPUT kvar 400 V	OUTPUT kvar 415 V	CAP. µF	FUNDAMENTAL CURRENT I <sub>n</sub> AT 50 Hz A 400 V / 415 V	DIMENSIONS Ø x H mm	WEIGHT kg	DRAWING NO.
PhMKPg400.3.10,00-84	5343-44004-xx	10	10.8	3 x 66.3	14.4 / 15.0	84.4 x 190	0.9	1
PhMKPg400.3.12,50-84	5343-44005-xx	12.5	13.5	3 x 82.9	18.0 / 18.7	84.4 x 190	1.0	1
PhMKPg400.3.15,00-84	5343-44006-xx	15	16.1	3 x 99.5	21.6 / 22.4	84.4 x 190	1.1	1
PhMKPg400.3.16,70-84	5343-44007-xx	16.7	18.0	3 x 110.7	24.1 / 25.0	84.4 x 265	1.4	1
PhMKPg400.3.20,00-84	5343-44008-xx	20	21.5	3 x 132.6	28.8 / 30.0	84.4 x 265	1.4	1
PhMKPg400.3.25,00-84	5343-44009-xx	25	26.9	3 x 165.8	36.1 / 37.4	84.4 x 265	1.5	1

RATED VOLTAGE 440 V, 50 Hz, DELTA CONNECTION, UL / ULc								
CAN BE USED ALSO FOR 415 V								
TYPE	ARTICLE NO. (1)	OUTPUT kvar 440 V	OUTPUT kvar 415 V	CAP. µF	FUNDAMENTAL CURRENT I <sub>n</sub> AT 50 Hz A 440 V / 415 V	DIMENSIONS Ø x H mm	WEIGHT kg	DRAWING NO.
PhMKPg440.3.12,50-84	5343-44010-xx	12.5	11.1	3 x 68.5	16.4 / 15.5	84.4 x 190	1.0	1
PhMKPg440.3.14,10-84	5343-44011-xx	14.1	12.5	3 x 77.0	18.5 / 17.5	84.4 x 190	1.1	1
PhMKPg440.3.15,00-84	5343-44012-xx	15	13.3	3 x 82.2	19.7 / 18.6	84.4 x 190	1.1	1
PhMKPg440.3.16,90-84	5343-44013-xx	16.9	15	3 x 92.6	22.2 / 20.9	84.4 x 190	1.2	1
PhMKPg440.3.18,80-84	5343-44014-xx	18.8	16.7	3 x 103.0	24.7 / 23.3	84.4 x 265	1.3	1
PhMKPg440.3.20,00-84	5343-44015-xx	20	17.8	3 x 109.6	26.2 / 24.8	84.4 x 265	1.4	1
PhMKPg440.3.22,50-84	5343-44016-xx	22.5	20	3 x 123.3	29.5 / 27.8	84.4 x 265	1.4	1
PhMKPg440.3.25,00-84	5343-44017-xx	25	22.2	3 x 137.0	32.8 / 30.9	84.4 x 265	1.5	1
PhMKPg440.3.28,10-84	5343-44018-xx	28.1	25	3 x 154.0	36.9 / 34.8	84.4 x 265	1.5	1
PhMKPg440.3.30,00-84	5343-44019-xx	30	26.7	3 x 164.4	39.4 / 37.1	84.4 x 340	1.8	1

RATED VOLTAGE 525 V, 50 Hz, DELTA CONNECTION, UL / ULc								
CAN BE USED ALSO FOR 480 V								
TYPE	ARTICLE NO. (1)	OUTPUT kvar 525 V	OUTPUT kvar 480 V	CAP. µF	FUNDAMENTAL CURRENT I <sub>n</sub> AT 50 Hz A 525 V / 480 V	DIMENSIONS Ø x H mm	WEIGHT kg	DRAWING NO.
PhMKPg525.3.10,00-84	5343-44020-xx	10	8.33	3 x 38.5	11.0 / 10.1	84.4 x 190	0.8	1
PhMKPg525.3.12,50-84	5343-44021-xx	12.5	10.4	3 x 48.1	13.7 / 12.6	84.4 x 190	1.0	1
PhMKPg525.3.13,80-84	5343-44022-xx	13.8	11.5	3 x 53.1	15.2 / 13.8	84.4 x 190	1.0	1
PhMKPg525.3.15,00-84	5343-44023-xx	15	12.5	3 x 57.7	16.5 / 15.0	84.4 x 190	1.1	1
PhMKPg525.3.20,00-84	5343-44024-xx	20	16.7	3 x 77.0	22.0 / 20.1	84.4 x 265	1.3	1
PhMKPg525.3.25,00-84	5343-44025-xx	25	20	3 x 96.2	27.5 / 25.1	84.4 x 265	1.5	1

Notes

- Other voltage ratings, outputs and frequencies upon request. All PhMKP / PhMKPg-type capacitors may also be applied in 60 Hz networks, however the resulting output and current will be 20 % higher in these cases (i.e. additional thermal load and therefore a lower temperature class must be taken into account unless otherwise specified for the capacitor concerned)
- (1) Version no. xx may differ as it respects small changes, e.g. on the label

**3-PHASE CAPACITORS**
***IP00, DRY***

<b>RATED VOLTAGE 660 V, 50 Hz, DELTA CONNECTION, UL / ULc UP TO 660 V</b>								
<b>CAN BE USED ALSO FOR 690 V, FULL OVER VOLTAGE RANGE</b>								
TYPE	ARTICLE NO. <sup>(1)</sup>	OUTPUT kvar 660 V	OUTPUT kvar 690 V	CAP. $\mu$ F	FUNDAMENTAL CURRENT $I_n$ AT 50 Hz A 660 V / 690 V	DIMENSIONS $\varnothing$ x H mm	WEIGHT kg	DRAWING NO.
PhMKPg660.3.08,33-84	5343-44026-xx	8.33	9.1	3 x 20.3	7.3 / 7.6	84.4 x 190	0.9	1
PhMKPg660.3.10,00-84	5343-44027-xx	10	10.9	3 x 24.4	8.7 / 9.1	84.4 x 190	1.1	1
PhMKPg660.3.12,50-84	5343-44028-xx	12.5	13.7	3 x 30.4	10.9 / 11.5	84.4 x 265	1.2	1
PhMKPg660.3.15,00-84	5343-44029-xx	15	16.4	3 x 36.5	13.1 / 13.7	84.4 x 265	1.4	1
PhMKPg660.3.16,70-84	5343-44030-xx	16.7	18.3	3 x 40.7	14.6 / 15.3	84.4 x 265	1.5	1
PhMKPg660.3.20,00-84	5343-44031-xx	20	21.9	3 x 48.7	17.5 / 18.3	84.4 x 340	1.7	1
PhMKPg660.3.22,90-84	5343-44032-xx	22.9	25.0	3 x 55.8	20.0 / 20.9	84.4 x 340	1.9	1

<b>RATED VOLTAGE 690 V, 50 Hz, DELTA CONNECTION</b>								
<b>CAN BE USED ALSO FOR 660 V</b>								
TYPE	ARTICLE NO. <sup>(1)</sup>	OUTPUT kvar 660 V	OUTPUT kvar 690 V	CAP. $\mu$ F	FUNDAMENTAL CURRENT $I_n$ AT 50 Hz A 690 V / 660 V	DIMENSIONS $\varnothing$ x H mm	WEIGHT kg	DRAWING NO.
PhMKPg690.3.12,50-84	5343-44033-xx	11.4	12.5	3 x 27.9	10.5 / 10.0	84.4 x 265	1.1	1
PhMKPg690.3.15,00-84	5343-44034-xx	13.7	15	3 x 33.4	12.6 / 12.0	84.4 x 265	1.3	1
PhMKPg690.3.20,00-84	5343-44035-xx	18.3	20	3 x 44.6	16.7 / 16.0	84.4 x 340	1.6	1
PhMKPg690.3.25,00-84	5343-44036-xx	22.9	25	3 x 55.7	20.9 / 20.0	84.4 x 340	1.9	1

**Notes**

- Other voltage ratings, outputs and frequencies upon request. All PhMKP / PhMKPg-type capacitors may also be applied in 60 Hz networks, however the resulting output and current will be 20 % higher in these cases (i.e. additional thermal load and therefore a lower temperature class must be taken into account unless otherwise specified for the capacitor concerned)

<sup>(1)</sup> Version no. xx may differ as it respects small changes, e.g. on the label

**Terminal cover (IP20), available for 84.4 mm diameter tubular can type capacitors.**

**(Cable gland not available for use with these covers)**

TYPE	ARTICLE NO.	CAPACITOR $\varnothing$ IN mm
CAP84-88-IN-LINE	5341-COV-84-88IP20	84.4

**Type CAP84-88-IN-LINE**

- Protection class IP20
- Protective cover prevents unintentional touching of live terminals
- Proper ventilation is provided by use of additional holes in the protective cover's top
- Six slots located on the cover, three on each side, allow easy IN-LINE connection between two capacitors

**TERMINAL COVER IP20: CAP84-88-IN-LINE**

**IN-LINE CONNECTION BETWEEN TWO CAPACITORS, IP20**


**1-PHASE CAPACITORS**
***IP00, OIL***

RATED VOLTAGE 230 V, 50 Hz, UL / ULc							
TYPE	ARTICLE NO. (1)	OUTPUT kvar	CAP. $\mu$ F	FUNDAMENTAL CURRENT $I_n$ AT 50 Hz A	DIMENSIONS $\varnothing$ x H (mm)	WEIGHT kg	DRAWING NO.
PhMKP230.1.05,00-84	5341-44436-xx	5	300.0	21.7	84.4 x 140	0.9	2

RATED VOLTAGE 400 V, 50 Hz, UL / ULc								
CAN BE USED ALSO FOR 415 V, FULL OVER VOLTAGE RANGE								
TYPE	ARTICLE NO. (1)	OUTPUT kvar 400 V	OUTPUT kvar 415 V	CAP. $\mu$ F	FUNDAMENTAL CURRENT $I_n$ AT 50 Hz A 400 V / 415 V	DIMENSIONS $\varnothing$ x H mm	WEIGHT kg	DRAWING NO.
PhMKP400.1.08,33-84	5341-44437-xx	8.33	9	165.7	20.8 / 21.6	84.4 x 140	0.9	2
PhMKP400.1.10,00-84	5341-44438-xx	10	10.8	198.9	25.0 / 25.9	84.4 x 140	1.0	2
PhMKP400.1.16,70-84	5341-44439-xx	16.7	18	332.2	41.7 / 43.3	84.4 x 240	1.3	2

RATED VOLTAGE 525 V, 50 Hz, UL / ULc								
CAN BE USED ALSO FOR 480 V								
TYPE	ARTICLE NO. (1)	OUTPUT kvar 525 V	OUTPUT kvar 480 V	CAP. $\mu$ F	FUNDAMENTAL CURRENT $I_n$ AT 50 Hz A 525 V / 480 V	DIMENSIONS $\varnothing$ x H mm	WEIGHT kg	DRAWING NO.
PhMKP525.1.16,70-84	5341-44440-xx	16.7	14.0	192.9	31.6 / 29.2	84.4 x 240	1.3	2
PhMKP525.1.20,00-84	5341-44441-xx	20	16.7	231.0	38.0 / 34.8	84.4 x 240	1.3	2

**Notes**

- Other voltage ratings, outputs and frequencies upon request. All PhMKP / PhMKPg-type capacitors may also be applied in 60 Hz networks, however the resulting output and current will be 20 % higher in these cases (i.e. additional thermal load and therefore a lower temperature class must be taken into account unless otherwise specified for the capacitor concerned)
- (1) Version no. xx may differ as it respects small changes, e.g. on the label

**Terminal cover (IP20), available for 84.4 mm diameter tubular can type capacitors.**  
**(Cable gland not available for use with these covers)**

TYPE	ARTICLE NO.	CAPACITOR $\varnothing$ IN mm
CAP84-88-IN-LINE	5341-COV-84-88IP20	84.4

**Type CAP84-88-IN-LINE**

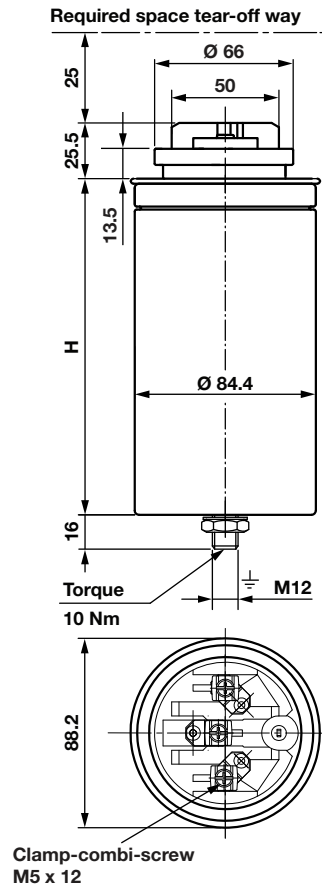
- Protection class IP20
- Protective cover prevents unintentional touching of live terminals
- Proper ventilation is provided by use of additional holes in the protective cover's top
- Six slots located on the cover, three on each side, allow easy IN-LINE connection between two capacitors

**TERMINAL COVER IP20: CAP84-88-IN-LINE**

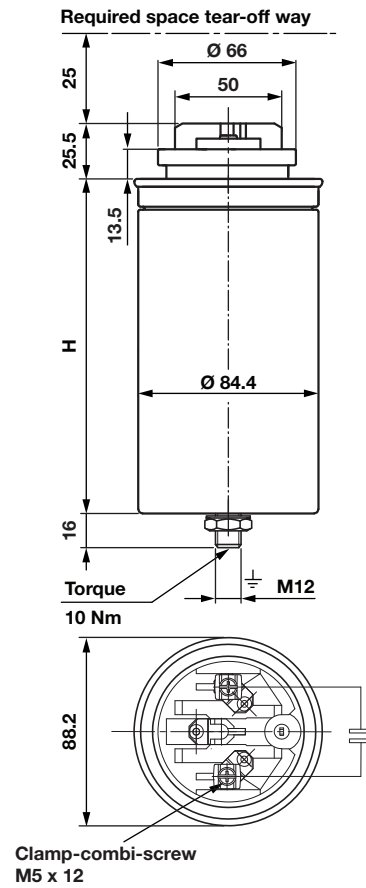
**IN-LINE CONNECTION BETWEEN TWO CAPACITORS, IP20**




## DIMENSIONS in millimeters



Drawing 1



Drawing 2

### ORDERING INFORMATION

#### TECHNICAL UNITS

Full cardboard boxes: Ø 84.4 mm - 4 pcs per carton





## Disclaimer

ALL PRODUCT, PRODUCT SPECIFICATIONS AND DATA ARE SUBJECT TO CHANGE WITHOUT NOTICE TO IMPROVE RELIABILITY, FUNCTION OR DESIGN OR OTHERWISE.

Vishay Intertechnology, Inc., its affiliates, agents, and employees, and all persons acting on its or their behalf (collectively, "Vishay"), disclaim any and all liability for any errors, inaccuracies or incompleteness contained in any datasheet or in any other disclosure relating to any product.

Vishay makes no warranty, representation or guarantee regarding the suitability of the products for any particular purpose or the continuing production of any product. To the maximum extent permitted by applicable law, Vishay disclaims (i) any and all liability arising out of the application or use of any product, (ii) any and all liability, including without limitation special, consequential or incidental damages, and (iii) any and all implied warranties, including warranties of fitness for particular purpose, non-infringement and merchantability.

Statements regarding the suitability of products for certain types of applications are based on Vishay's knowledge of typical requirements that are often placed on Vishay products in generic applications. Such statements are not binding statements about the suitability of products for a particular application. It is the customer's responsibility to validate that a particular product with the properties described in the product specification is suitable for use in a particular application. Parameters provided in datasheets and / or specifications may vary in different applications and performance may vary over time. All operating parameters, including typical parameters, must be validated for each customer application by the customer's technical experts. Product specifications do not expand or otherwise modify Vishay's terms and conditions of purchase, including but not limited to the warranty expressed therein.

Hyperlinks included in this datasheet may direct users to third-party websites. These links are provided as a convenience and for informational purposes only. Inclusion of these hyperlinks does not constitute an endorsement or an approval by Vishay of any of the products, services or opinions of the corporation, organization or individual associated with the third-party website. Vishay disclaims any and all liability and bears no responsibility for the accuracy, legality or content of the third-party website or for that of subsequent links.

Except as expressly indicated in writing, Vishay products are not designed for use in medical, life-saving, or life-sustaining applications or for any other application in which the failure of the Vishay product could result in personal injury or death. Customers using or selling Vishay products not expressly indicated for use in such applications do so at their own risk. Please contact authorized Vishay personnel to obtain written terms and conditions regarding products designed for such applications.

No license, express or implied, by estoppel or otherwise, to any intellectual property rights is granted by this document or by any conduct of Vishay. Product names and markings noted herein may be trademarks of their respective owners.