

## Aluminum Electrolytic / Energy Storage Capacitors, Vishay BCcomponents, Radial

**TAPING**

BCcomponents radial non-solid aluminum capacitors in sizes up to  $\varnothing D = 18$  mm, are available in taped versions corresponding to "IEC 60286-2" or "JIS C 0805" respectively. They are most suitable for use on automatic insertion machines, mounting robots or cutting and forming equipment and are supplied in boxes (ammopacks).

**CAUTION**

Packages must be handled with care to avoid bent leads

The information contained in this part is valid for the following series with a case  $\varnothing D = 10$  mm to 18 mm:

- |   |   |
|---|---|
| <ul style="list-style-type: none"> <li>• 038 RSU</li> <li>• 048 RML</li> <li>• 136 RVI</li> <li>• 140 RTM</li> <li>• 142 RHS</li> <li>• 146 RTI / 246 RTI-V</li> <li>• 148 RUS</li> <li>• 150 RMI / 250 RMI-V</li> <li>• 152 RMH</li> </ul> | <ul style="list-style-type: none"> <li>• 160 RLA / 260 RLA-V</li> <li>• 170 RVZ</li> <li>• 172 RLX</li> <li>• 190 RTL</li> <li>• 220 EDLC</li> <li>• 225 EDLC-R</li> <li>• 230 EDLC-HV</li> <li>• 235 EDLC-HVR</li> </ul> |
|---|---|

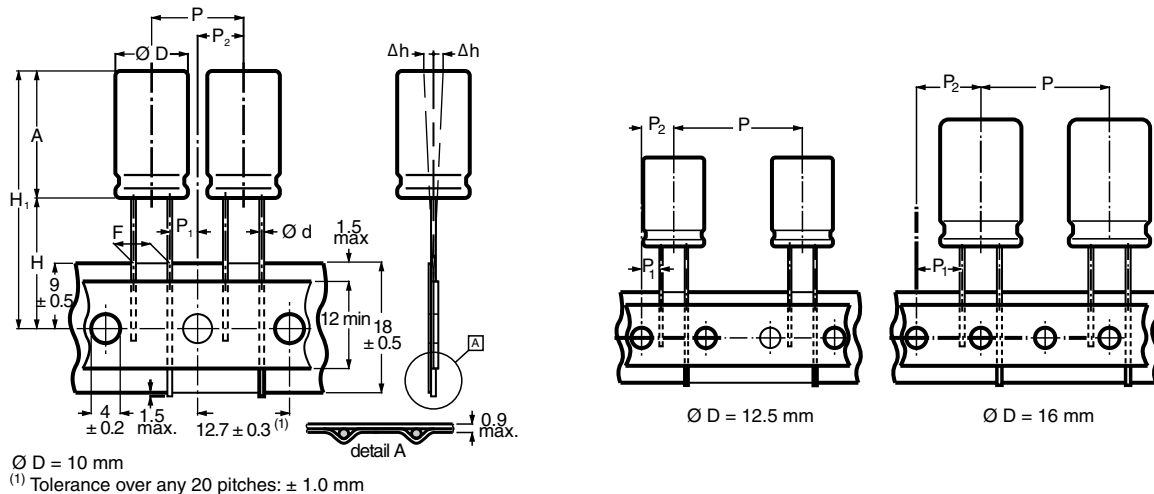


Fig. 1 - Form TFA

Table 1

DIMENSIONS in millimeters													
PARAMETER	NOMINAL CASE SIZE ( $\varnothing D \times L$ )												TOLERANCE
	10 x 12	10 x 16	10 x 20	12.5 x 20	12.5 x 25	16 x 20	16 x 25	16 x 31	18 x 20	18 x 25	18 x 31	18 x 35	
$\varnothing D$	10.5	10.5	10.5	13.0	13.0	16.5	16.5	16.5	18.5	18.5	18.5	18.5	max.
A	13.5	17.5	22	22	27	22	27	33.5	22	27	33.5	37.5	max.
$\varnothing d$	0.6	0.6	0.6	0.6	0.6	0.8	0.8	0.8	0.8	0.8	0.8	0.8	$\pm 0.05$
P	12.7	12.7	12.7	25.4	25.4	25.4	25.4	25.4	25.4	25.4	25.4	25.4	$\pm 1.0$
P <sub>1</sub>	3.85	3.85	3.85	3.85	3.85	8.95	8.95	8.95	8.95	8.95	8.95	8.95	$\pm 0.7$
P <sub>2</sub>	6.35	6.35	6.35	6.35	6.35	12.7	12.7	12.7	12.7	12.7	12.7	12.7	$\pm 1.3$
F	5.0	5.0	5.0	5.0	5.0	7.5	7.5	7.5	7.5	7.5	7.5	7.5	+ 0.8 / - 0.2
$\Delta h$	0	0	0	0	0	0	0	0	0	0	0	0	$\pm 3.0$
H	18.5	18.5	18.5	18.5	18.5	18.5	18.5	18.5	18.5	18.5	18.5	18.5	$\pm 0.75$
H <sub>1</sub>	H <sub>1</sub> = H + A												
B	54	62	62	62	68	68	68	68	62	68	68	68	max.

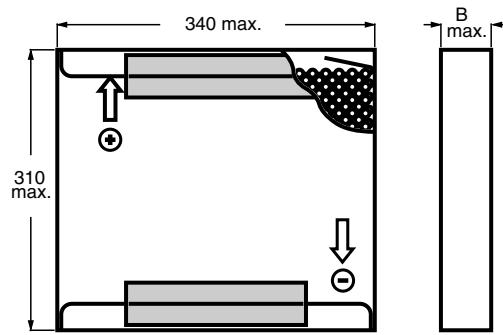


Fig. 2 - Ammopack; **Form TFA**

**Note**

(1) Ammopack taping (Form TFA). To ensure optimum straightness of the leads and correct position of the components in the folding area of the zig-zag shaped tape, where necessary, one capacitor is omitted at each folding edge

The information contained within this part is valid for the following series with a case  $\varnothing D = 4 \text{ mm}$  to  $8 \text{ mm}$ :

- 038 RSU
- 142 RHS
- 150 RMI

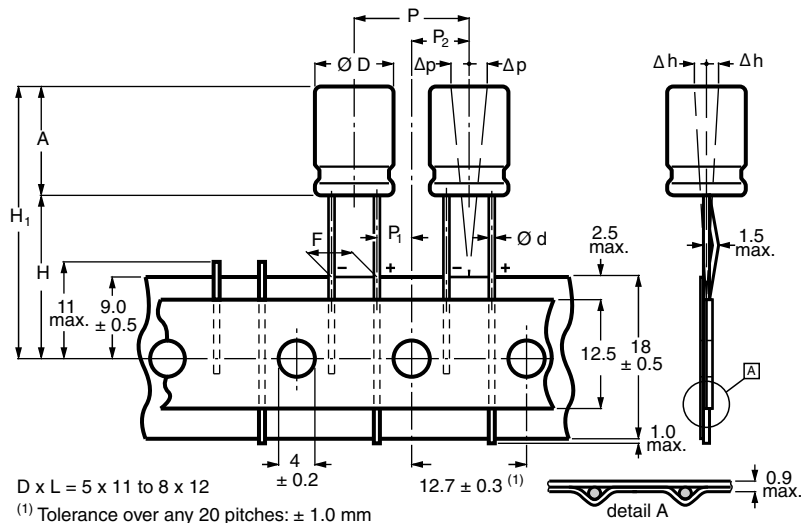


Fig. 3 - **Form TNA**, straight leads

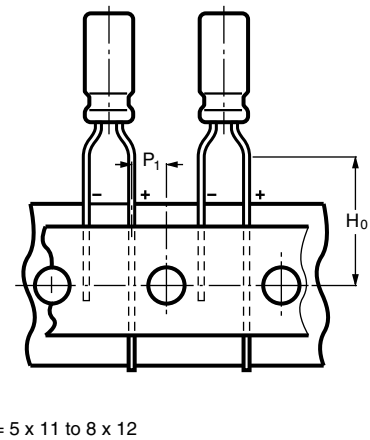


Fig. 4 - **Form TFA**, formed leads

**Table 2**

DIMENSIONS in millimeters									
PARAMETER	NOMINAL CASE SIZE ( $\varnothing D \times L$ ) in mm								TOLERANCE
	FORM TNA				FORM TFA				
	5 x 11	6.3 x 11	8 x 12	8 x 15	5 x 11	6.3 x 11	8 x 12	8 x 15	
$\varnothing D$	5.5	6.8	8.5	8.5	5.5	6.8	8.5	8.5	max.
A	12.5	12.5	13.0	16.0	12.5	12.5	13.0	16.0	max.
$\varnothing d$	0.5	0.5	0.6	0.6	0.5	0.5	0.6	0.6	$\pm 0.05$
P	12.7	12.7	12.7	12.7	12.7	12.7	12.7	12.7	$\pm 1.0$
$P_1$	5.1	5.1	4.6	4.6	3.85	3.85	3.85	3.85	$\pm 0.7$
$P_2$	6.35	6.35	6.35	6.35	6.35	6.35	6.35	6.35	$\pm 1.0$
F	2.5	2.5	3.5	3.5	5.0	5.0	5.0	5.0	$+ 0.8 / - 0.2$
$\Delta h$	0	0	0	0	0	0	0	0	$\pm 2.0$
$\Delta p$	0	0	0	0	0	0	0	0	$\pm 1.3$
H	18.5	18.5	18.5	18.5	18.5	18.5	20.0	20.0	$\pm 0.75$
$H_0$	-	-	-	-	16.0	16.0	16.0	16.0	$\pm 0.5$
$H_1$	32.2	32.2	32.2	35.2	32.2	32.2	33.7	36.7	max.

The information contained within this part is valid for the following series:

- 013 RLC
- 036 RSP
- 116 RLL

For catalog numbers, refer to the relevant detail specification.

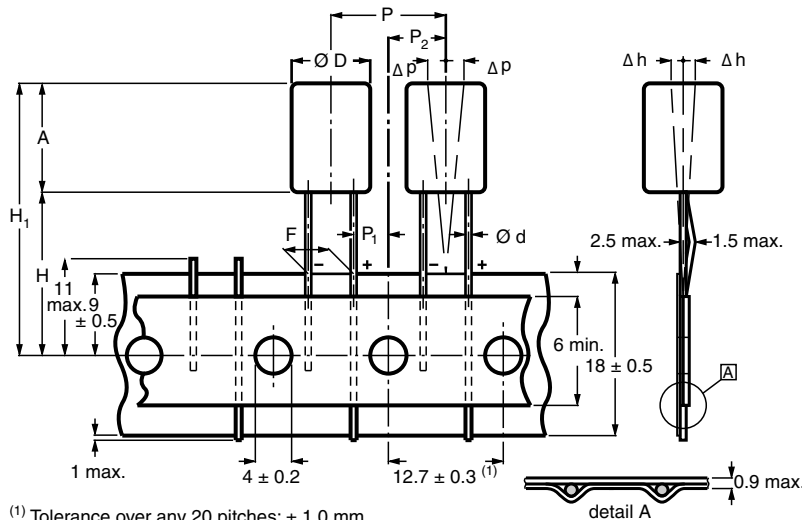


Fig. 5 - Form TNA and TFA, straight leads

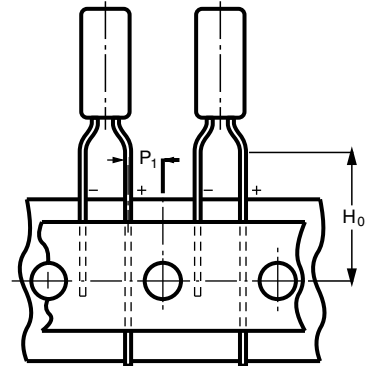


Fig. 6 - Form TFA, formed leads

Table 3

DIMENSIONS in millimeters				
PARAMETER	NOMINAL CASE SIZE (Ø D x L)			TOLERANCE
	FORM TNA: F = 2.5	FORM TFA: F = 5		
	5 x 11 (straight leads)	5 x 11 (formed leads)	8.2 x 11 (straight leads)	
Ø D	5.5	5.5	8.7	max.
A	12	12	12	max.
Ø d	0.5	0.5	0.6	± 0.05
P	12.7	12.7	12.7	± 1.0
P <sub>1</sub>	5.1	3.85	3.85	± 0.7
P <sub>2</sub>	6.35	6.35	6.35	± 0.7
F	2.5	5.0	5.0	+ 0.6 / - 0.1
Δh	0	0	0	± 2.0
Δp	0	0	0	± 1.3
H	18	18	18	+ 1.5 / - 0
H <sub>0</sub>	-	16	-	± 0.5
H <sub>1</sub>	32	32	32	max.

Table 4

QUANTITIES PER PACKAGING UNIT					
NOMINAL CASE SIZE ( $\varnothing$ D x L) (mm)	CASE CODE	BULK PER BOX		TAPED AMMOPACK <sup>(1)</sup>	
		FORM CA	FORM CB	FORM TFA	FORM TNA
5 x 11	11	1000	1000	2000	2000
8.2 x 11	13	1000	1000	1000	1000

**Note**

<sup>(1)</sup> Ammopack taping (form TFA) case  $\varnothing$  D x L = 8.2 mm x 11 mm. To ensure optimum straightness of the leads and correct position of the capacitors in the folding area of the zig-zag shaped tape, every 25th capacitor is omitted.

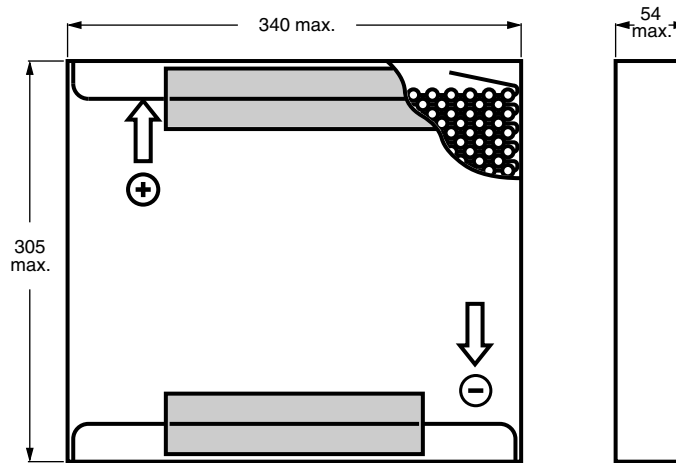


Fig. 7 - Ammopack; Forms TFA and TNA