



Mounting Instructions

PRINCIPLES OF OPERATION

The inner scale of the Model 25 Multidial is graduated in hundredths of a turn. The outer scale (read through the view window) counts the number of turns (0 to 20) that have been completed.

Example: If the number in the window reads 7 and the inner scale reads 22, the reading is 7 turns plus $\frac{22}{100}$ of the eighth turn. In case of a 10 turn potentiometer, this equals 72.2 % of 10 turns.

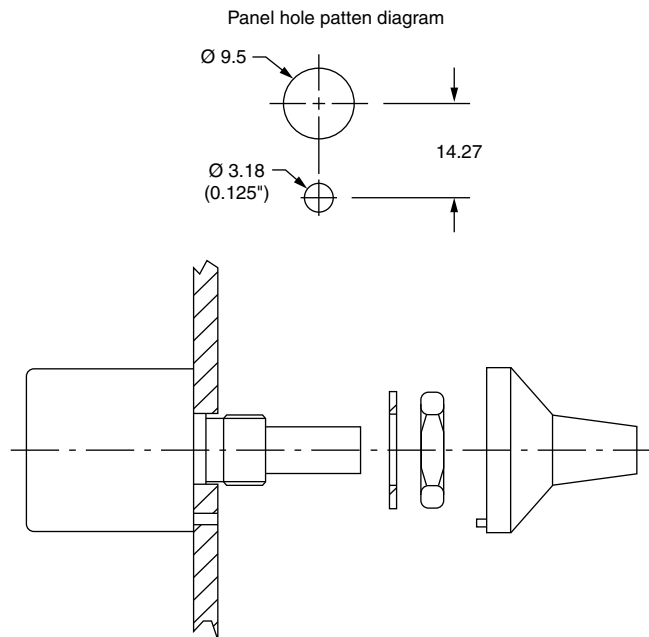
Each complete revolution of the inner scale transfers the outer scale numerals in the window. Numeral transfer on the outer scale occurs between 97 and 0 on the inner scale. If two numerals appear in the window at the instant of transfer, read the lower of the two.

MOUNTING INSTRUCTIONS

The following instructions apply when the Model 25 Multidial is used on a $\frac{1}{8}$ " panel in conjunction with Spectrol 500 or 800 series potentiometers or other rotary components.

Using the existing anti-rotation lug

1. Drill a 3.18 mm (0.125") diameter hole 14.27 mm (0.562") below the horizontal centerline of potentiometer mounting hole.
2. Mount potentiometer shaft counter clockwise to obtain minimum resistance or voltage ratio. This is not necessarily identical with the mechanical stop.
3. Loosen set screw in knob of dial. Set dial to "0.0" reading.
4. While holding outer ring of dial, position unit lightly against panel. Tighten knob set screws to potentiometer shaft.





Using the anti-rotation device:

1. Remove anti-rotation lug from dial by using pliers.
2. Mount potentiometer in panel with anti-rotation device nut (supplied with dial) and lock washer (supplied with potentiometer).
3. Turn potentiometer shaft counter clockwise to obtain minimum resistance or voltage ratio. This is not necessarily identical with the mechanical stop.
4. Loosen set screw in knob of dial. Set dial to "0.0" reading.
5. While holding outer ring of dial, position unit tightly against panel. Tighten knob set screw to potentiometer shaft.

