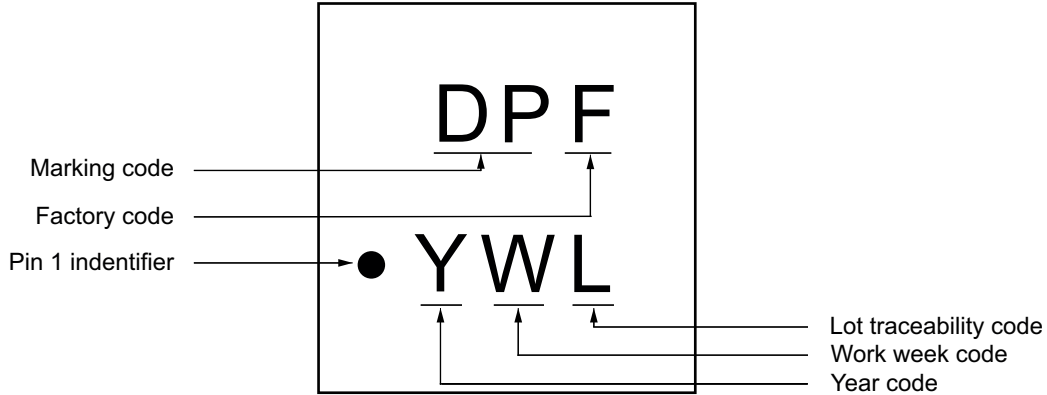




PowerPAK® SC-75, Thin PowerPAK® SC-75



DEVICE / PACKAGE TYPE CODE: D		
PACKAGE TYPE	DEVICE TYPE	CODE
Single	N-Ch (w or w/o ESD)	A or J
Single	P-Ch (w or w/o ESD)	B or K
Dual	N-Ch (w or w/o ESD)	C or L
Dual	P-Ch (w or w/o ESD)	D or O
Complementary	N / P-Ch	E or N
Dual asymmetrical	N-Ch / Schottky	G
Dual asymmetrical	P-Ch / Schottky	H
Dual asymmetrical	N / P-Ch	I
Products for medical segment	all	M

PART NUMBER CODE: P			
TYPE	P/N	P/N CODE (P)	MARKING CODE (DP)
Single N-Ch	SiB412DK	A	AA
	SiB414DK	B	AB
	SiB452DK	C	AC
	SiB406EDK	D	AD
	SiB408DK	E	AE
	SiB422EDK	F	AF
	SiB488DK	G	AG
	SiB410DK	H	AH
	SiB404DK	I	AI
	SiB456DK	J	AJ
Single P-Ch	SiB401DK	A	BA
	SiB411DK	B	BB
	SiB413DK	C	BC
	SiB415DK	D	BD
	SiB417DK	E	BE
	SiB419DK	F	BF
	SiB417EDK	G	BG
	SiB431EDK	H	BH



PART NUMBER CODE: P			
TYPE	P/N	P/N CODE (P)	MARKING CODE (DP)
	SiB429EDK	I	BI
	SiB457EDK	J	BJ
	SiB455EDK	K	BK
	SiB433EDJ	L	BL
	SiB437EDKT	M	BM
	SiB417AEDK	N	BN
	SiB441EDK	O	BO
Dual N-Ch	SiB912DK	A	CA
	SiB914DK	B	CB
	SiB900EDK	C	CC
	SiB916DK	D	CD
Dual P-Ch	SiB911DK	A	DA
Dual N-Ch / Schottky	SiB800EDK	A	GA
Medical	SMMB911DK	A	MA
	SMMB912DK	B	MB
	SMMB406EDK	C	MC
	SMMB411DK	D	MD

YEAR CODE: Y			
YEAR	CODE	YEAR	CODE
2010	0	2020	0
2011	1	2021	1
2012	2	2022	2
2013	3	2023	3
2014	4	2024	4
2015	5	2025	5
2016	6	2026	6
2017	7	2027	7
2018	8	2028	8
2019	9	2029	9

WORK WEEK CODE: W					
WEEK	WEEK CODE	WEEK	WEEK CODE	WEEK	WEEK CODE
1 - 2	A	19 - 20	J	37 - 38	S
3 - 4	B	21 - 22	K	39 - 40	T
5 - 6	C	23 - 24	L	41 - 42	U
7 - 8	D	25 - 26	M	43 - 44	V
9 - 10	E	27 - 28	N	45 - 46	W
11 - 12	F	29 - 30	O	47 - 48	X
13 - 14	G	31 - 31	P	49 - 50	Y
15 - 16	H	33 - 34	Q	51 - 53	Z
17 - 18	I	35 - 36	R		

The current marking strategy is reflected. Contact your local sales representative for historical marking strategies for these packages.