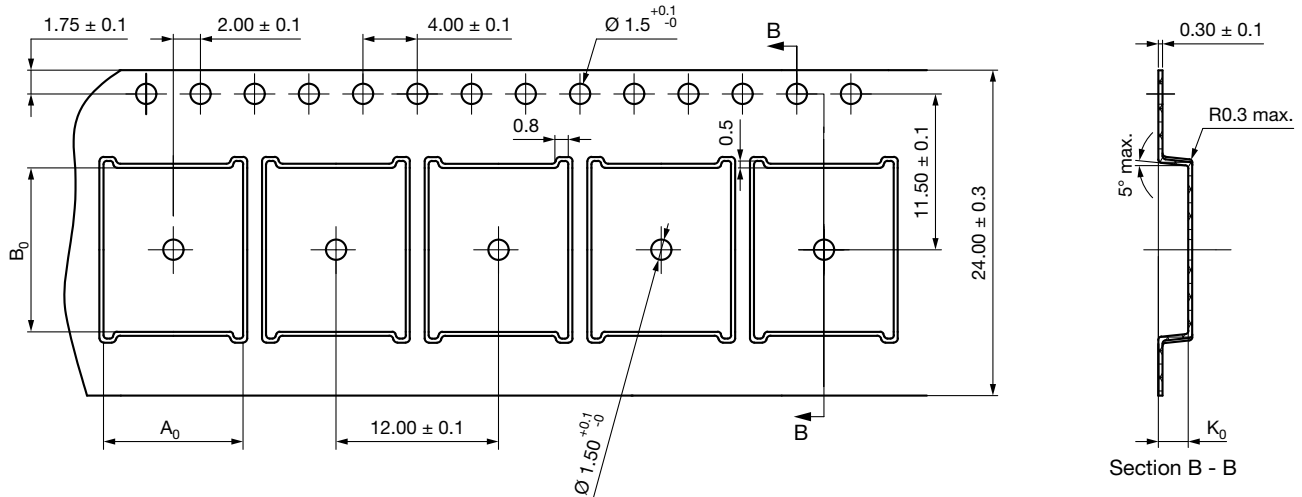




Carrier Tape for High Voltage PowerPAK® 10 x 12



Notes

- (1) 10 sprocket hole pitch cumulative tolerance ± 0.2 mm
- (2) Camber in compliance with EIA 481
- (3) Pocket position relative to sprocket hole measured as true position of pocket, not pocket hole

DIMENSIONS in millimeters	
A ₀	10.30 ± 0.1
B ₀	12.10 ± 0.1
K ₀	2.70 ± 0.1
ECN: E21-0623-Rev. A, 29-Oct-2021	
DWG: 93-5355-X	