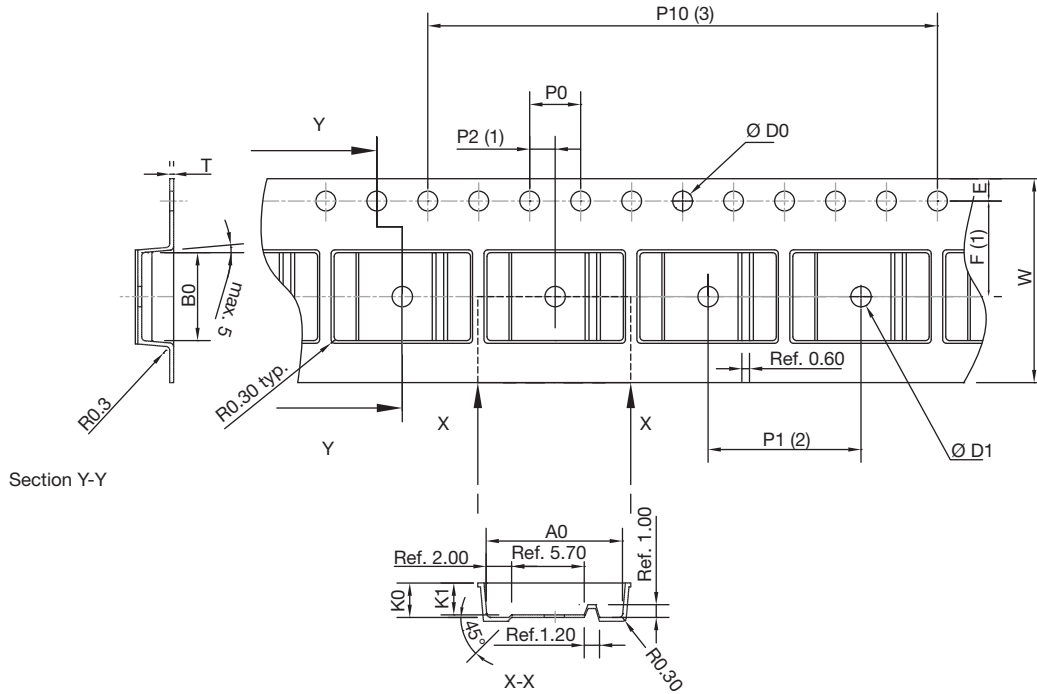


CARRIER TAPE FOR DPAK TE3



Notes

1. Measure from centerline of sprocket hole to centerline of pocket.
2. Measure from centerline of pocket to centerline of pocket.
3. Pitch tolerance for sprocket hole. 10 pitch cumulative tolerances is ± 0.2 mm.
4. Allowable camber to be 1 mm per 250 mm in length.

DIMENSIONS			
ANNOTE	MILLIMETER	ANNOTE	MILLIMETER
A0	10.70 ± 0.10	P1	12.00 ± 0.10
B0	6.90 ± 0.10	P2	2.00 ± 0.10
K0	2.70 ± 0.10	P10	40.00 ± 0.20
K1	2.50 ± 0.10	E	1.75 ± 0.10
D0	1.55 ± 0.05	F	7.50 ± 0.10
D1	1.60 ± 0.10	W	16.00 ± 0.30
P0	4.00 ± 0.10	T	0.30 ± 0.05
ECN: X10-0300-Rev. A, 23-Aug-10 DWG: 93-5282-X			