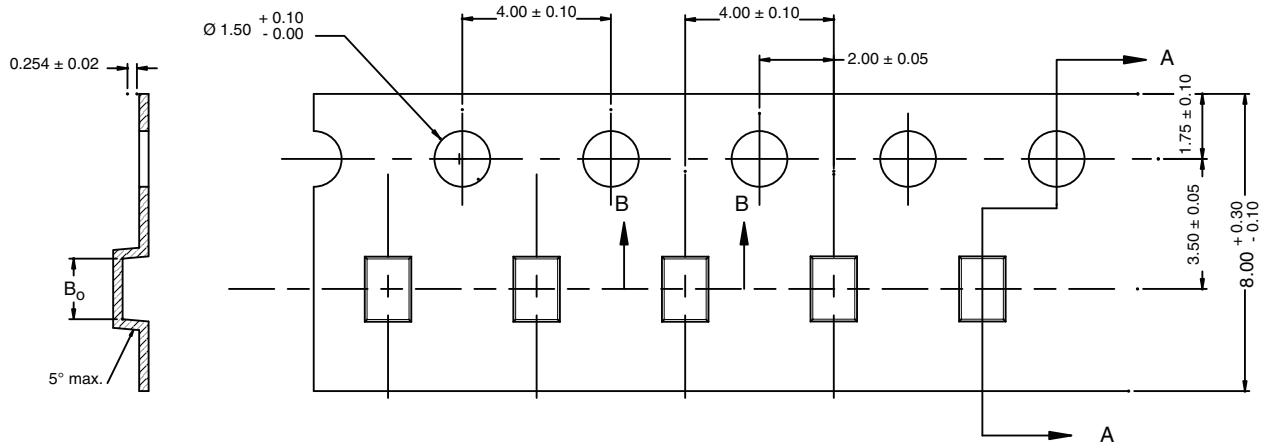
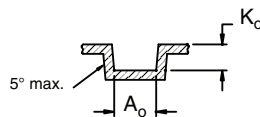


MICRO FOOT® 2 x 3: 0.5 mm PITCH, 0.25 mm BUMP HEIGHT



SECTION A - A



SECTION B - B

$A_0 = 1.13 \pm 0.05$
$B_0 = 1.63 \pm 0.05$
$K_0 = 0.78 \pm 0.05$

Notes

- 10 sprocket hole pitch cumulative tolerance ± 0.2 .
- Camber not to exceed 1 mm in 100 mm, also not to exceed 1 cm in 1 m actually.
- Material: Black conductive poly carbonate.
- Pocket position relative to sprocket hole measured as true position of pocket, not pocket hole.
- All sizes in mm unless specified.
- Vishay part number must be labeled at all reels of cover and carrier tape.
- Surface resistivity - $10^5 \text{ max. } \Omega/\text{sq.}$

QUANTITY PER REEL	
T2	3000
ECN: C10-0949-Rev. C, 04-Oct-10	
DWG: 93-5257-X	