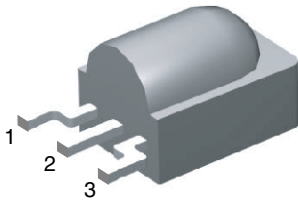


Cut Leads:

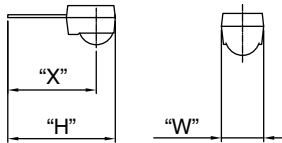
H = 11.05 mm, W = 5 mm, X = 8.35 mm

AVAILABLE FOR

- Minicast



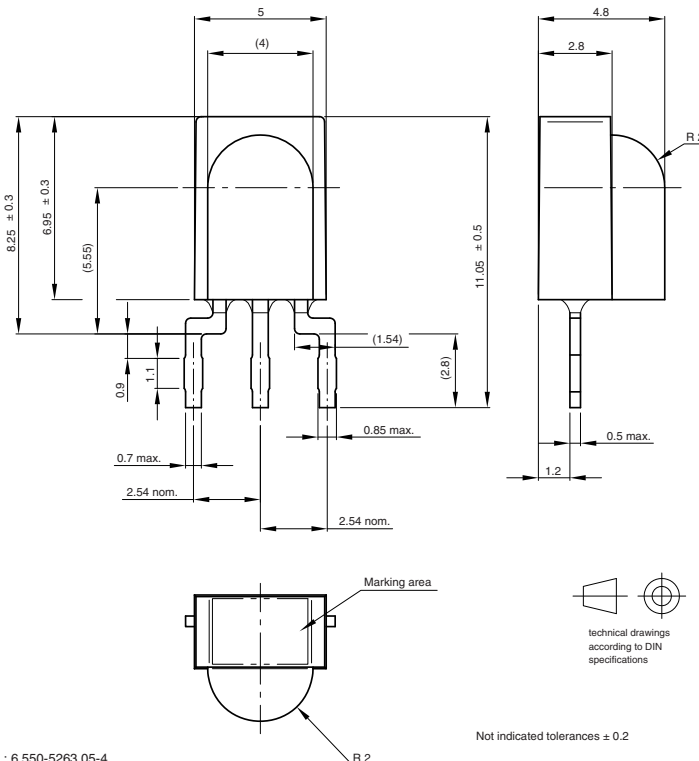
19790



20244

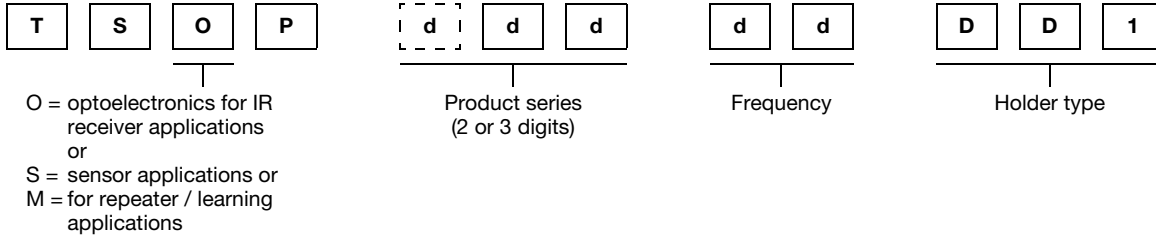
LINKS TO ADDITIONAL RESOURCES


NAME	LENS AXIS (X)	VIEW	TYPE	HEIGHT (H)	WIDTH (W)	DEPTH (D)
DD1	8.35	-	Cut	11.05	5	-

MECHANICAL DIMENSIONS in millimeters


PACKAGING DIMENSIONS in millimeters

The DD1 is packed in anti-static plastic bags. Therefore no dimensions are given.

ORDERING INFORMATION

Note

- d = "digit", please consult the list of available series on the previous page to create a valid part number

Example: TSOP58238DD1

PACKAGING QUANTITY

- 500 pieces per bag
- 6 bags per carton

OUTER PACKAGING

CARTON BOX DIMENSIONS in millimeters			
KINDS OF CARTON BOX	THICKNESS	WIDTH	LENGTH
Packaging plastic tubes (normal / auxiliary devices)	80	150	600
Packaging plastic trays (devices with metal holders)	120	290	490
Big box (bulk packaging)	150	180	400
Secondary box (taping in reels)	400	310	410
Ammo-box (zigzag taping)	50	130	350