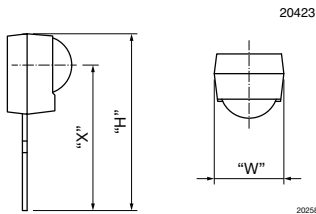
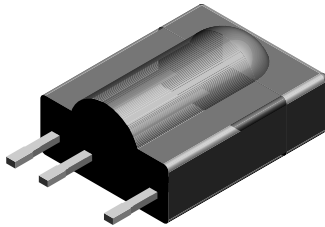


## Cut Leads:

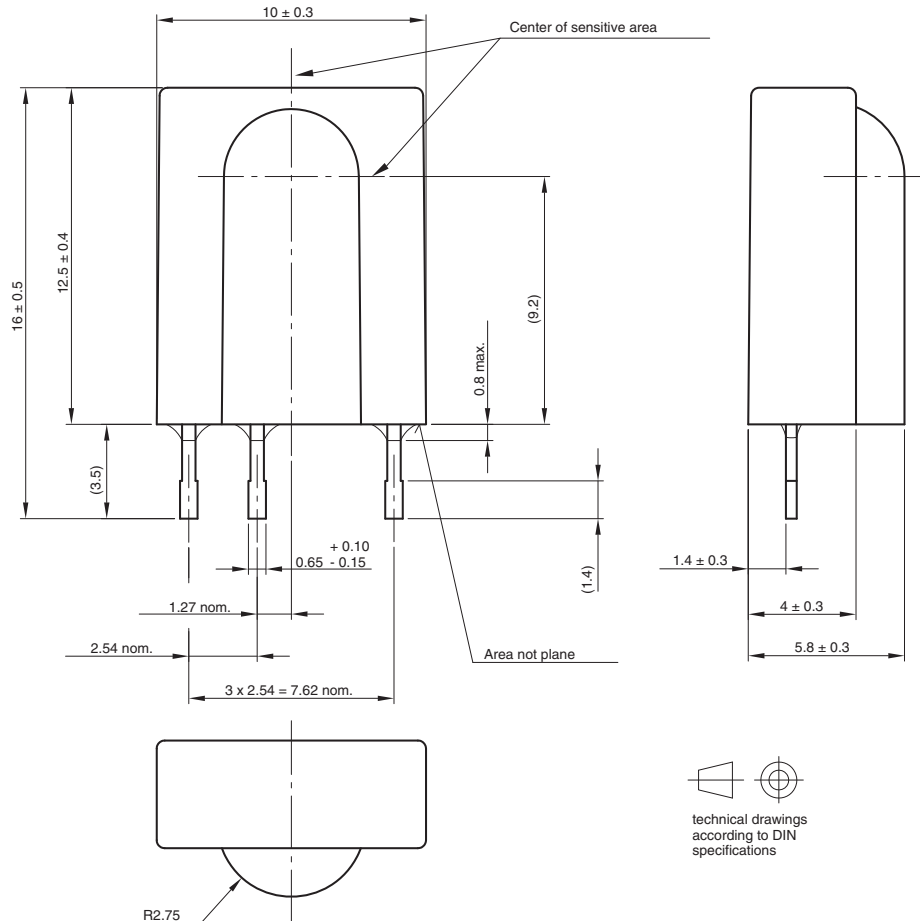
### H = 16 mm, W = 10 mm, X = 12.7 mm

**AVAILABLE FOR**

- Cast



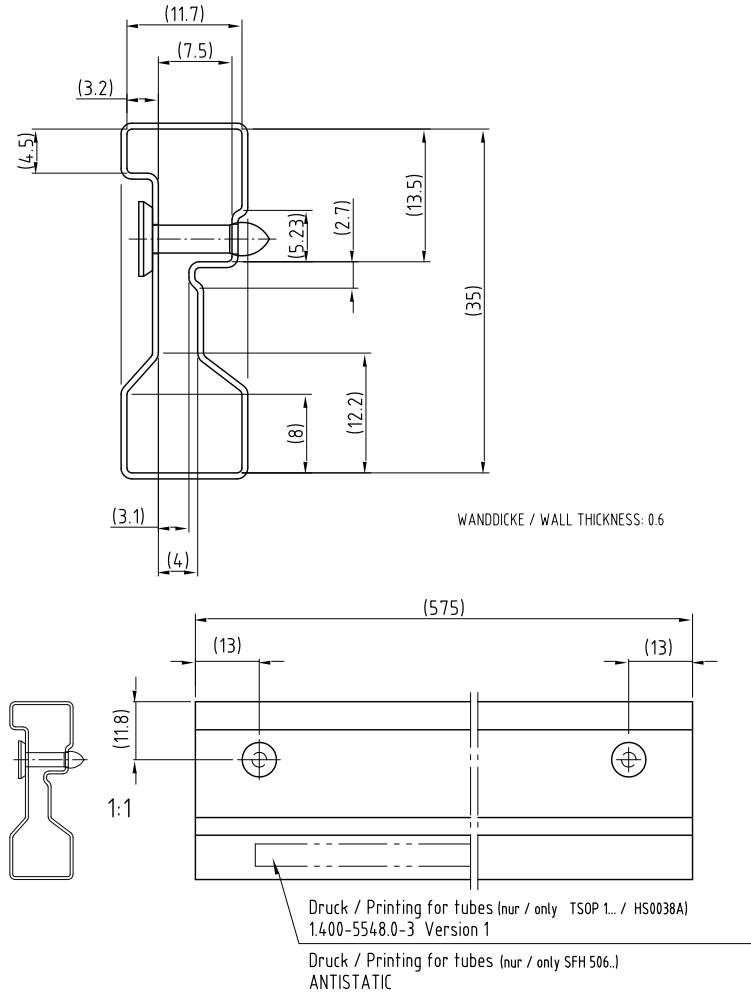
NAME	LENS AXIS (X)	VIEW	TYPE	HEIGHT (H)	WIDTH (W)	DEPTH (D)
SH1	12.7	-	Cut	16	10	-

**MECHANICAL DIMENSIONS** in millimeters


technical drawings  
 according to DIN  
 specifications

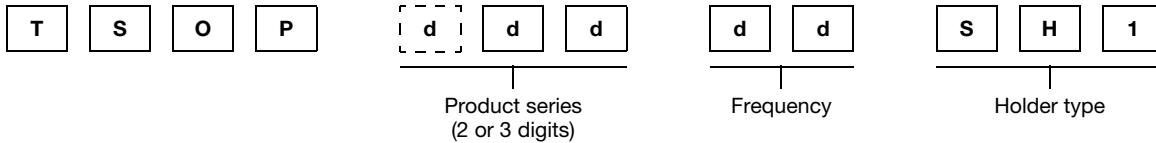
Drawing-No.: 6.550-5095.07-4  
 Issue: 3; 04.08.09  
 20366

**PACKAGING DIMENSIONS** in millimeters



Drawing-No.: 9.700-5131.0-4  
Rev. 10; Date: 20.11.03  
20306-1

**ORDERING INFORMATION**



**Note**

- d = "digit", please consult the list of available series on the previous page to create a valid part number

**Example: TSOP31238SH1**

**PACKING QUANTITY**

- 54 pieces per tube
- 20 tubes per carton