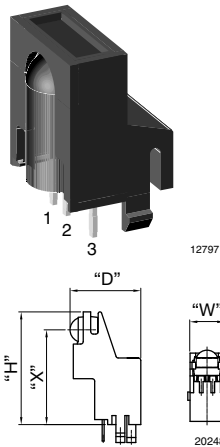


Side View Holder: D = 11.25 mm, H = 13.8 mm, W = 11.5 mm, X = 9.75 mm



FEATURES

- Material categorization: for definitions of compliance please see www.vishay.com/doc?99912



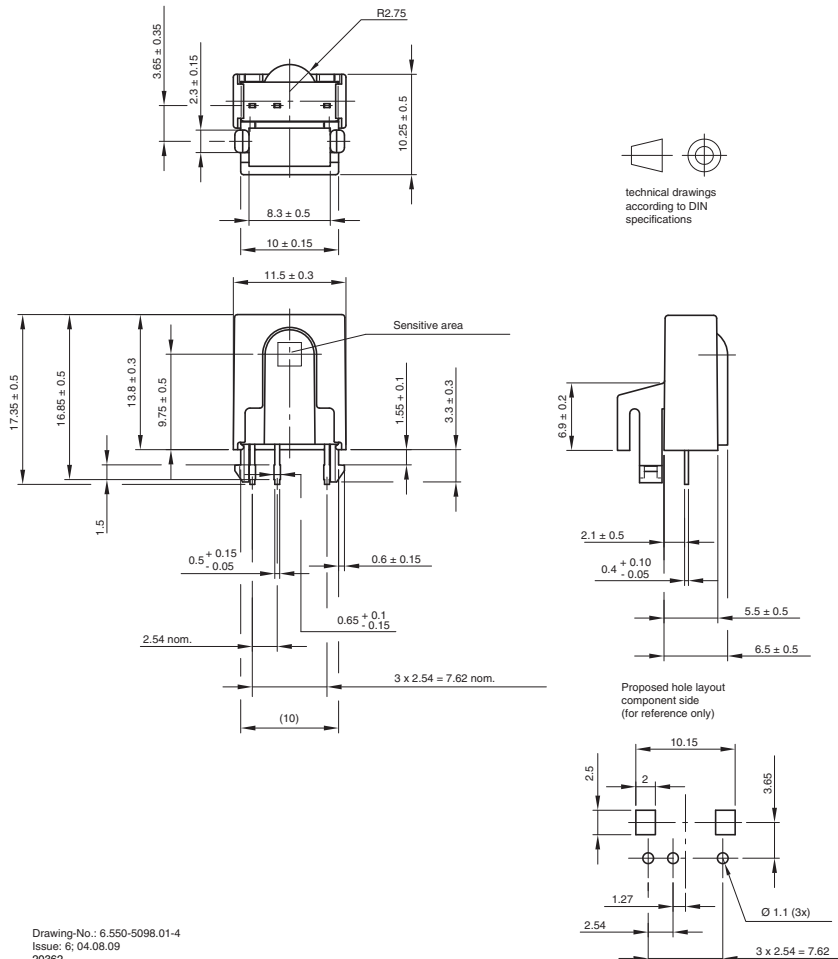
RoHS
COMPLIANT
HALOGEN
FREE
GREEN
(5-2008)

AVAILABLE FOR

- Cast

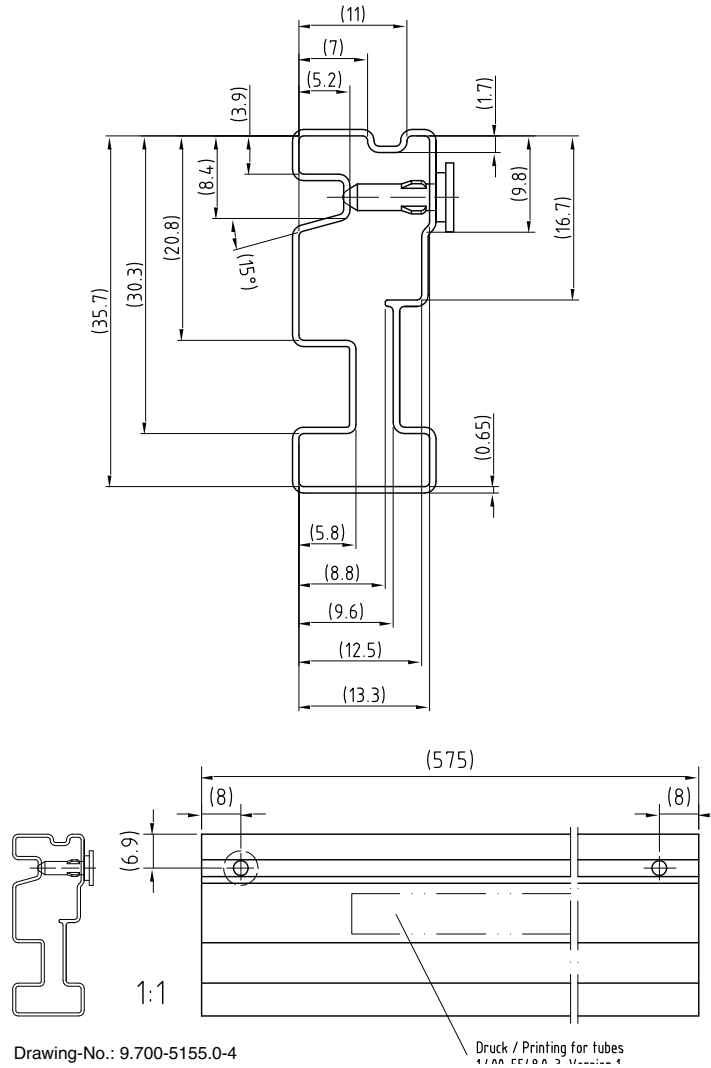
NAME	LENS AXIS (X)	VIEW	TYPE	HEIGHT (H)	WIDTH (W)	DEPTH (D)
KA1	9.75	Side	Holder	13.8	11.5	11.25

MECHANICAL DIMENSIONS in millimeters

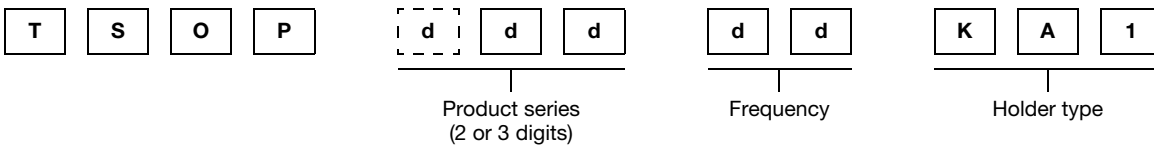


Drawing-No.: 6.550-5098.01-4
Issue: 6; 04.08.09
20362

PACKAGING DIMENSIONS in millimeters



ORDERING INFORMATION



Note

- d = "digit", please consult the list of available series on the previous page to create a valid part number

Example: TSOP31238KA1

PACKING QUANTITY

- 48 pieces per tube
- 18 tubes per carton

Vishay offers plastic and metal holder which have different characteristics:

- Plastic Pros: nearly invisible behind the bezel
- Plastic Cons: cannot be reflow soldered, wave soldering deforms the hooks (visual issue only, the part is secured by the leads after soldering)
- Metal Pros: may be reflow and wave soldered, improves EMI and RF rejection
- Metal Cons: appears shiny behind the bezel, will oxidize over time (visual issue only, the holder functionality is not impaired)