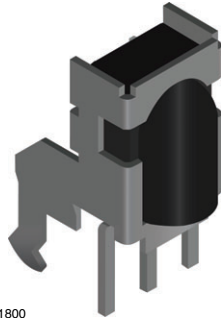
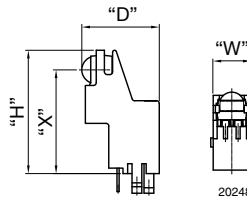


## Side View Holder: D = 8.5 mm, H = 9.1 mm, W = 6 mm, X = 6 mm



21800



20248

### FEATURES

- Material categorization:  
for definitions of compliance please see  
[www.vishay.com/doc?99912](http://www.vishay.com/doc?99912)

### AVAILABLE FOR

- Minicast



**RoHS**  
COMPLIANT  
HALOGEN  
**FREE**  
**GREEN**  
(5-2008)

### LINKS TO ADDITIONAL RESOURCES


[Product Page](#)

[3D Models](#)

[Calculators](#)

[Marking](#)

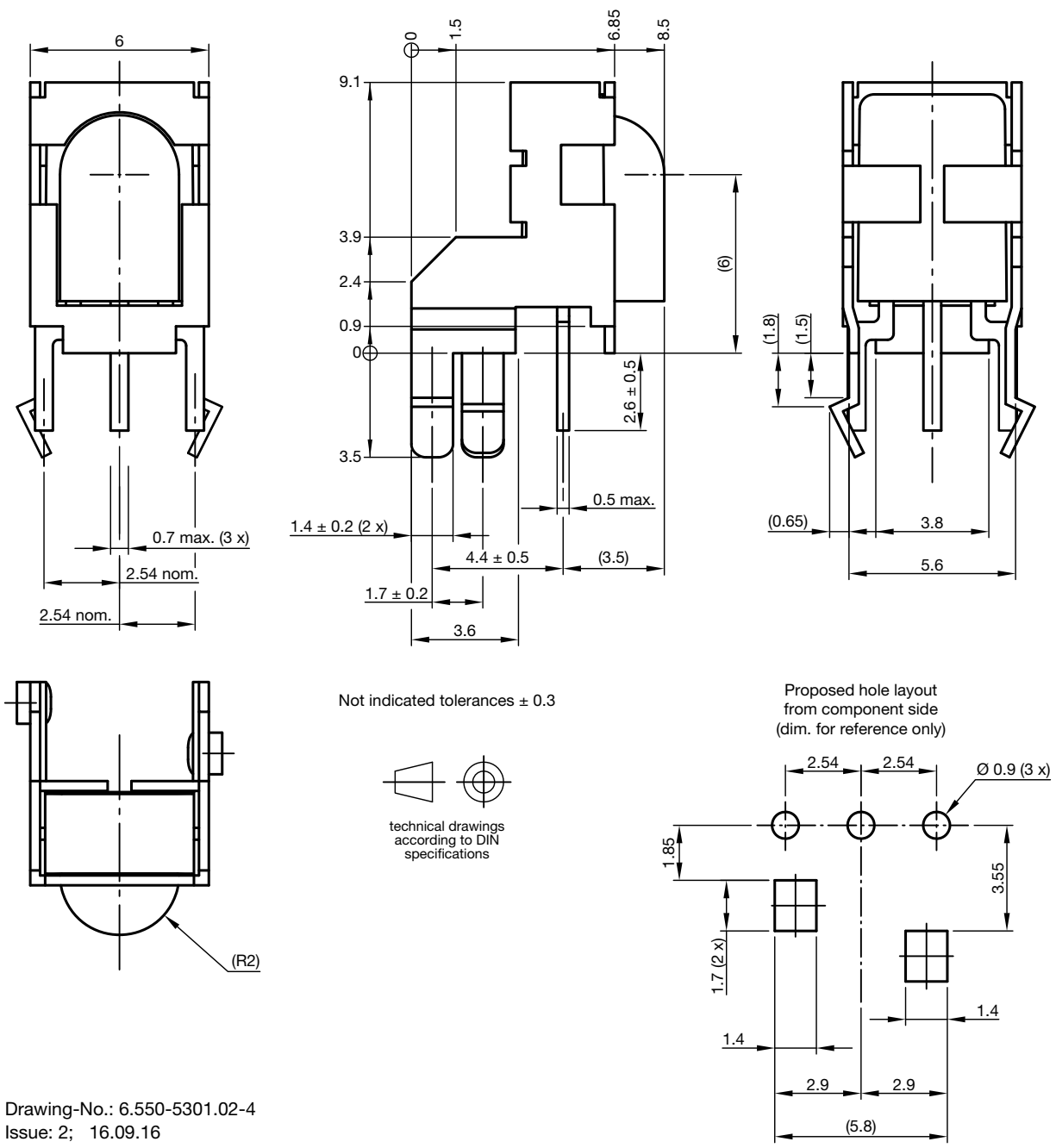
[Packages](#)

[Holders](#)

[Bends and Cuts](#)

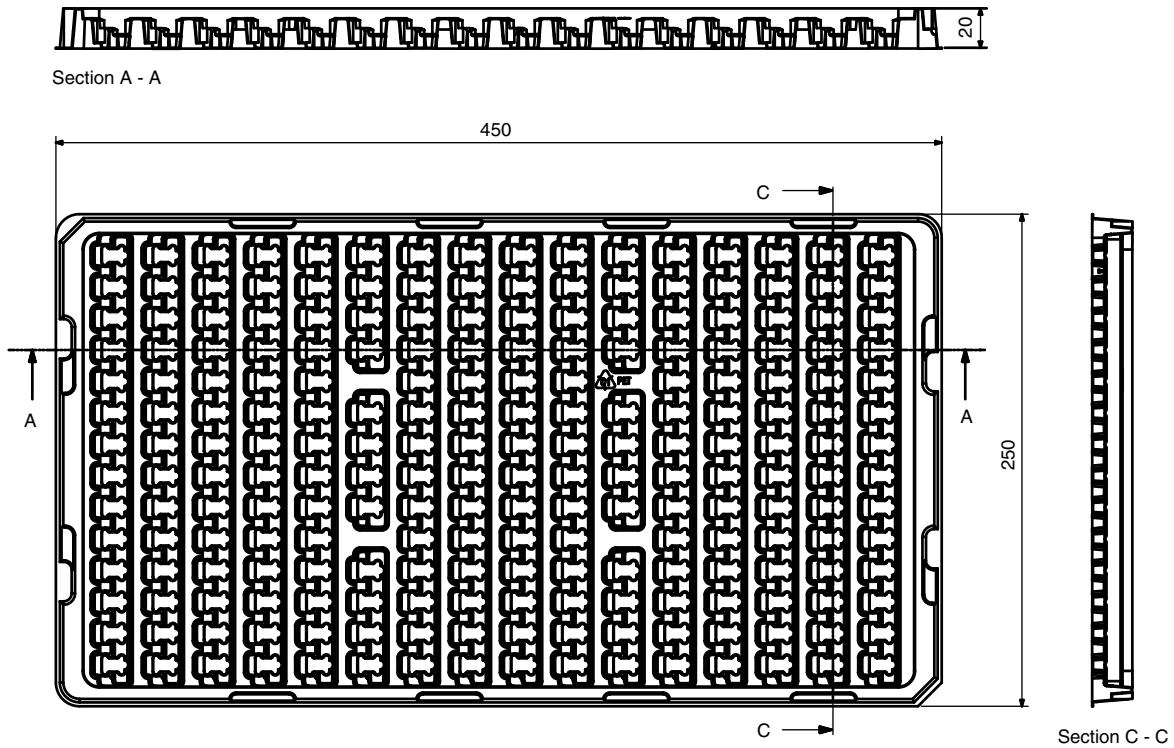
NAME	LENS AXIS (X)	VIEW	TYPE	HEIGHT (H)	WIDTH (W)	DEPTH (D)
CE1	6	Side	Holder	9.1	6	8.5

**MECHANICAL DIMENSIONS** in millimeters



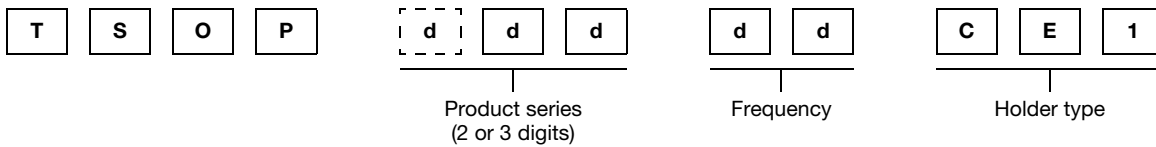
Drawing-No.: 6.550-5301.02-4  
Issue: 2; 16.09.16

**PACKAGING DIMENSIONS** in millimeters



Drawing-No. 9.700-5307.01-1  
 Issue 1; 17.06.09  
 21799

**ORDERING INFORMATION**



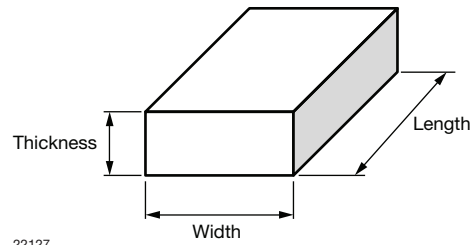
**Note**

- d = "digit", please consult the list of available series on the previous page to create a valid part number

**Example: TSOP58338CE1**

**PACKING QUANTITY**

- 220 pieces per tray
- 7 trays per carton

**OUTER PACKAGING**
**CARTON BOX DIMENSIONS** in millimeters


22127

KINDS OF CARTON BOX	THICKNESS	WIDTH	LENGTH
Packaging plastic tubes (normal / auxiliary devices)	80	150	600
Packaging plastic trays (devices with metal holders)	120	290	490
Big box (bulk packaging)	150	180	400
Secondary box (taping in reels)	400	310	410
Ammo-box (zigzag taping)	50	130	350

Vishay offers plastic and metal holder which have different characteristics:

- *Plastic Pros: nearly invisible behind the bezel*
- *Plastic Cons: cannot be reflow soldered, wave soldering deforms the hooks (visual issue only, the part is secured by the leads after soldering)*
- *Metal Pros: may be reflow and wave soldered, improves EMI and RF rejection*
- *Metal Cons: appears shiny behind the bezel, will oxidize over time (visual issue only, the holder functionality is not impaired)*