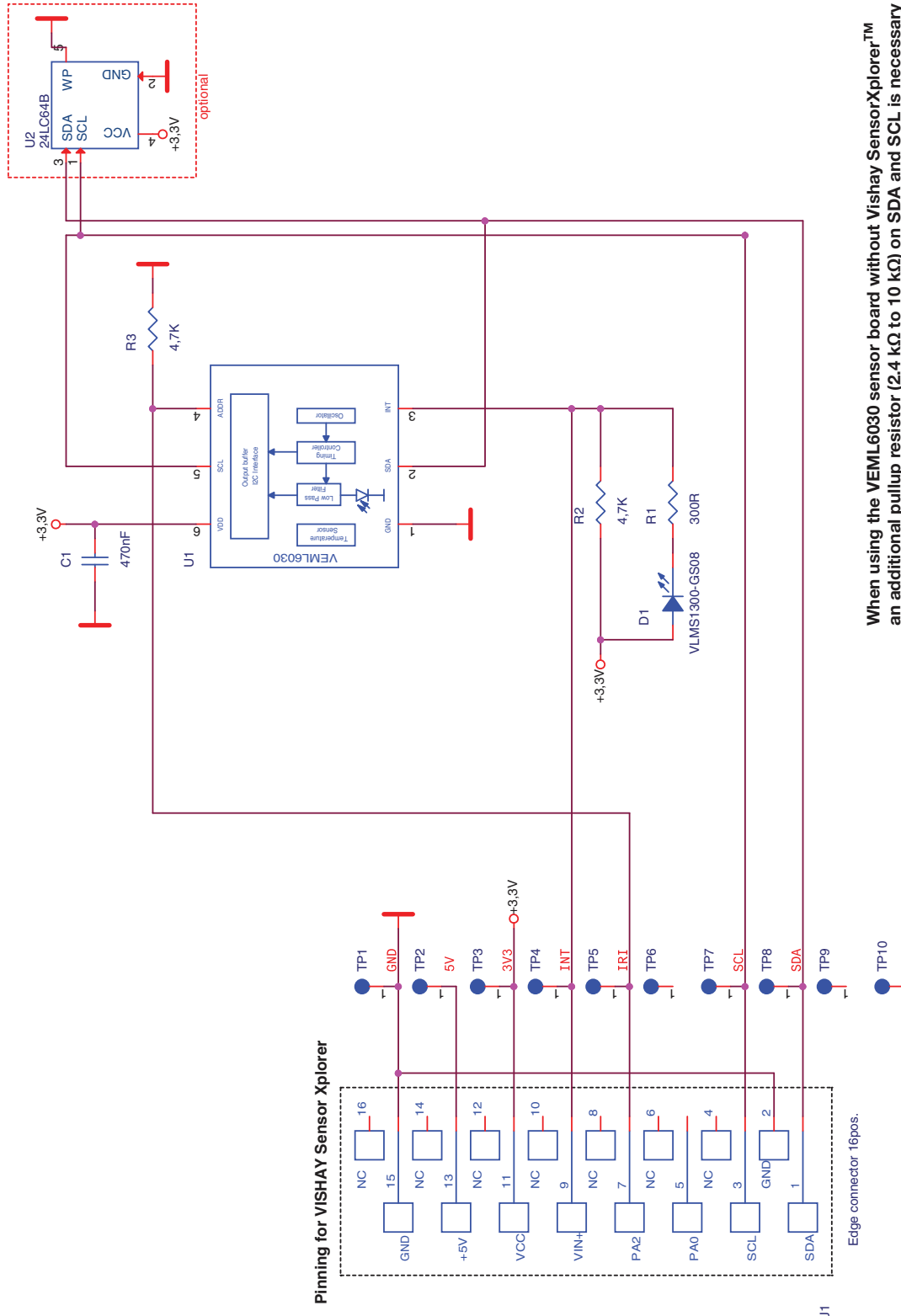


## VEML6030 Sensor Board

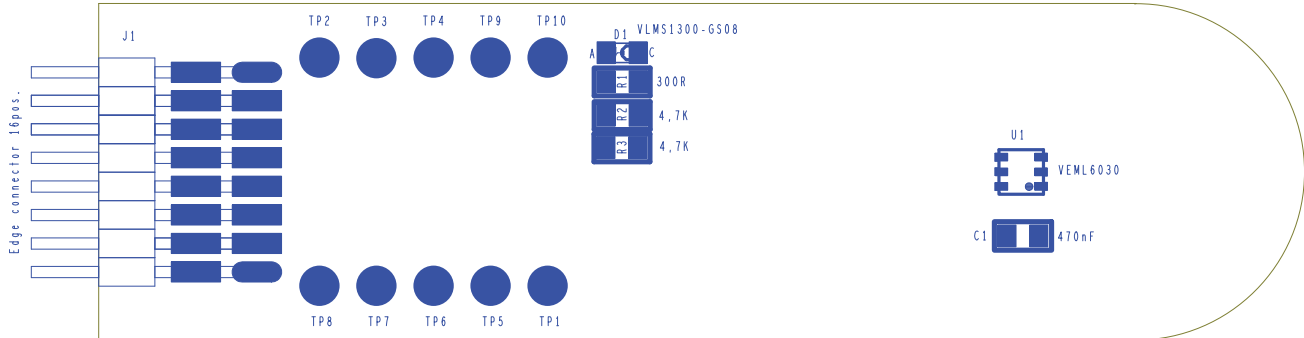
### SCHEMATIC





## ASSEMBLY

VEML6030 sensor board, rev. 3.0



Assembly top

BILL OF MATERIALS					
ITEM	QUANTITY	REFERENCE	COMPONENT CLASS	VALUE	PACKAGE
1	1	C1	Capacitor NP	470 nF	SMC0603
2	1	D1	LED red	VLMS1300	SMD0603
3	1	R1	Resistor	300 Ω	SMR0603
3	1	R2	Resistor	4.7 kΩ	SMR0603
4	1	R3	Resistor	4.7 kΩ	SMR0603
5	1	U1	Sensor	VEML6030	SMD
6	1	J1	Edge connector	2 x 8 pos.	SMD header strip