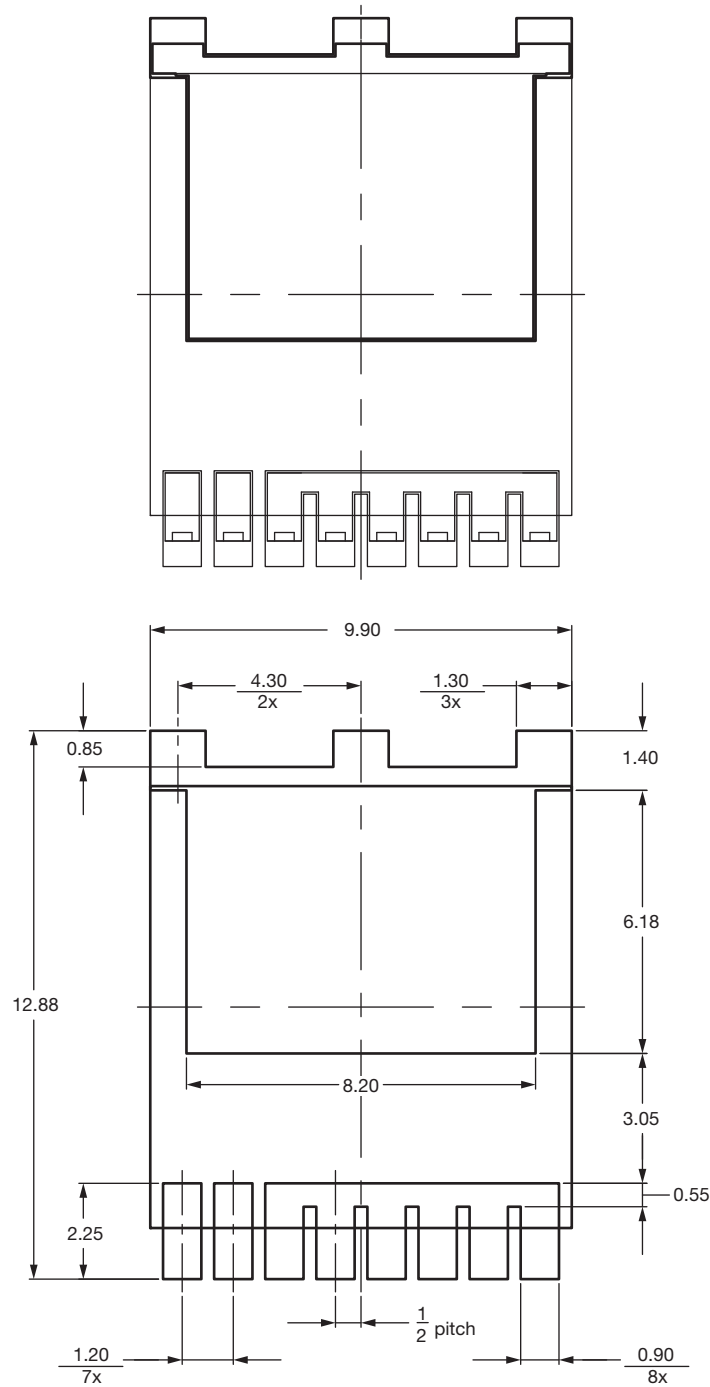




# Recommended Land Pattern PowerPAK® 10 x 12 (TOLL) (High Voltage)



**Note**

- Dimensions in mm

ECN: S22-1061-Rev. C, 26-Dec-2022  
DWG: 3013