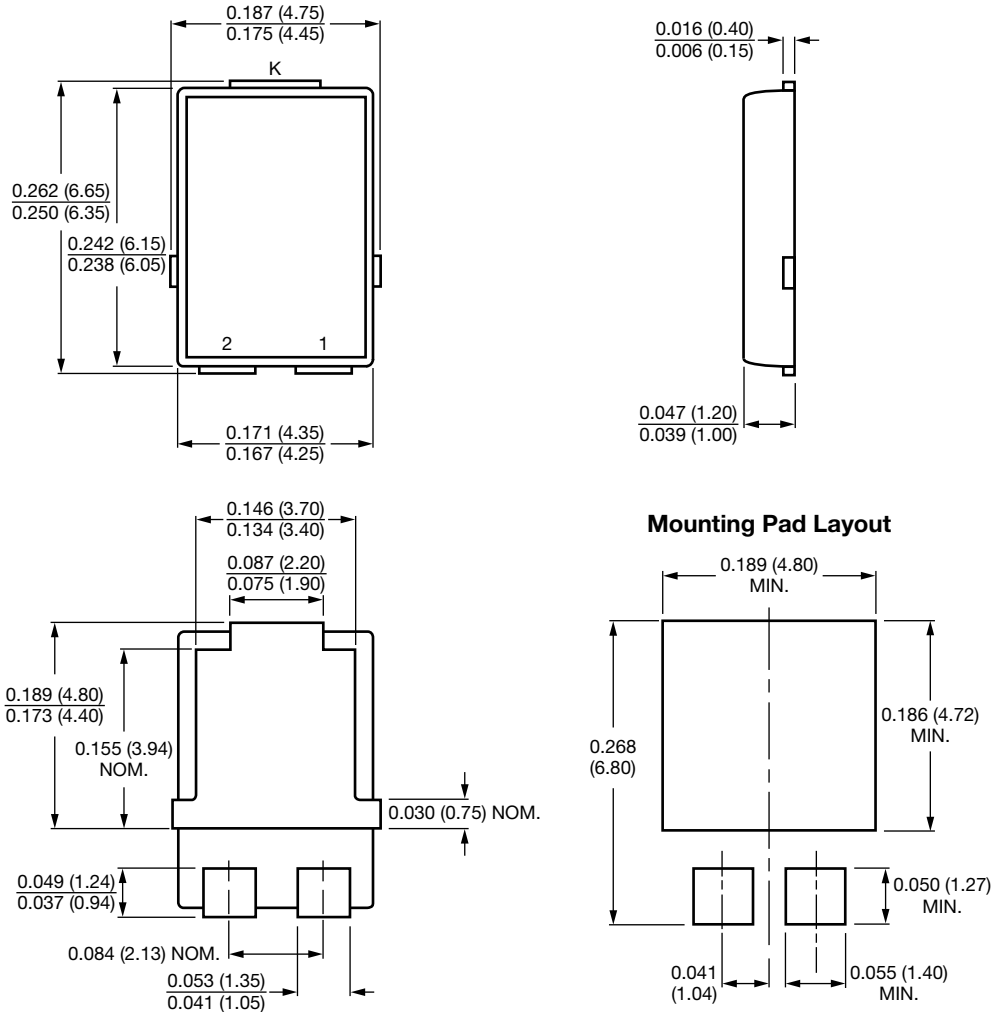




### SMPC (TO-277A)

**DIMENSIONS** in inches (millimeters)



Conform to JEDEC® TO-277A