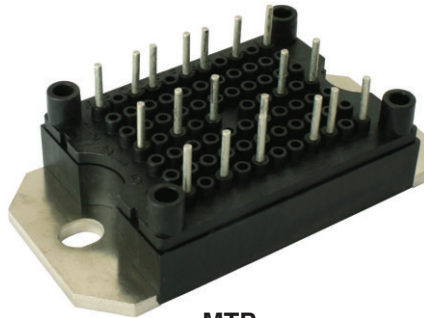


Full Bridge TrenchStop IGBT, MTP Power Modules



MTP
(Package example)

FEATURES

- TrenchStop IGBT technology
- Positive $V_{CE(on)}$ temperature coefficient
- FRED Pt® Gen5 antiparallel diodes with ultrasoft reverse recovery
- Low diode V_F
- Square RBSOA
- Very low stray inductance design for high speed operation
- UL approved file E78996
- Designed and qualified for industrial level
- Material categorization: for definitions of compliance please see www.vishay.com/doc?99912



RoHS
COMPLIANT

PRIMARY CHARACTERISTICS	
V_{CES}	600 V
I_C at $T_C = 45\text{ }^\circ\text{C}$	50 A
$V_{CE(on)}$ at 50 A	1.81 V
Speed	30 kHz to 100 kHz
Package	MTP
Circuit configuration	Full bridge

BENEFITS

- Optimized for welding, UPS and SMPS applications
- Rugged with ultrafast performance
- Outstanding ZVS and hard switching operation
- Low EMI, requires less snubbing
- Excellent current sharing in parallel operation
- Direct mounting to heatsink
- PCB solderable terminals
- Very low junction to case thermal resistance

ABSOLUTE MAXIMUM RATINGS				
PARAMETER	SYMBOL	TEST CONDITIONS	MAX.	UNITS
Collector to emitter breakdown voltage	V_{CES}		600	V
Continuous collector current	I_C	$T_C = 25\text{ }^\circ\text{C}$	55	A
		$T_C = 80\text{ }^\circ\text{C}$	41	
Pulsed collector current	I_{CM}	$V_{GE} = 15\text{ V}$	115	
Clamped inductive load current	I_{LM}		95	
Diode continuous forward current	I_F	$T_C = 25\text{ }^\circ\text{C}$	54	
		$T_C = 80\text{ }^\circ\text{C}$	41	
Diode maximum forward current	I_{FM}		250	
Gate to emitter voltage	V_{GE}		± 20	V
RMS isolation voltage	V_{ISOL}	Any terminal to case, $t = 1\text{ min}$	2500	
Maximum power dissipation (only IGBT)	P_D	$T_C = 25\text{ }^\circ\text{C}$	144	W
		$T_C = 80\text{ }^\circ\text{C}$	91	
Maximum power dissipation (only diode)	P_D	$T_C = 25\text{ }^\circ\text{C}$	107	
		$T_C = 80\text{ }^\circ\text{C}$	68	



ELECTRICAL SPECIFICATIONS ($T_J = 25\text{ }^\circ\text{C}$ unless otherwise noted)						
PARAMETER	SYMBOL	TEST CONDITIONS	MIN.	TYP.	MAX.	UNITS
Collector to emitter breakdown voltage	$V_{(BR)CES}$	$V_{GE} = 0\text{ V}, I_C = 0.5\text{ mA}$	600	-	-	V
Collector to emitter saturation voltage	$V_{CE(on)}$	$V_{GE} = 15\text{ V}, I_C = 50\text{ A}$	-	1.81	2.1	$V_{CE(on)}$
		$V_{GE} = 15\text{ V}, I_C = 50\text{ A}, T_J = 125\text{ }^\circ\text{C}$	-	2.1	-	
		$V_{GE} = 15\text{ V}, I_C = 50\text{ A}, T_J = 175\text{ }^\circ\text{C}$	-	2.23	-	
Gate threshold voltage	$V_{GE(th)}$	$V_{CE} = V_{GE}, I_C = 0.5\text{ mA}$	2.8	4.0	5.3	
Temperature coefficient of threshold voltage	$V_{GE(th)}/\Delta T_J$	$V_{CE} = V_{GE}, I_C = 0.5\text{ mA}$ ($25\text{ }^\circ\text{C}$ to $125\text{ }^\circ\text{C}$)	-	-9.9	-	mV/ $^\circ\text{C}$
Transconductance	g_{fe}	$V_{CE} = 20\text{ V}, I_C = 50\text{ A}$	-	37	-	S
Transfer characteristics	V_{GE}	$V_{CE} = 20\text{ V}, I_C = 50\text{ A}$	-	6.4	-	V
Zero gate voltage collector current	$I_{CES}^{(1)}$	$V_{GE} = 0\text{ V}, V_{CE} = 600\text{ V}, T_J = 25\text{ }^\circ\text{C}$	-	0.3	40	μA
		$V_{GE} = 0\text{ V}, V_{CE} = 600\text{ V}, T_J = 125\text{ }^\circ\text{C}$	-	40	-	mA
		$V_{GE} = 0\text{ V}, V_{CE} = 600\text{ V}, T_J = 175\text{ }^\circ\text{C}$	-	1.2	-	
Gate to emitter leakage current	I_{GES}	$V_{GE} = \pm 20\text{ V}$	-	-	± 200	nA

Note

(1) I_{CES} includes also opposite leg overall leakage

SWITCHING CHARACTERISTICS ($T_J = 25\text{ }^\circ\text{C}$ unless otherwise specified)						
PARAMETER	SYMBOL	TEST CONDITIONS	MIN.	TYP.	MAX.	UNITS
Total gate charge (turn-on)	Q_g	$I_C = 50\text{ A}$ $V_{CC} = 520\text{ V}$ $V_{GE} = 15\text{ V}$	-	123	-	nC
Gate to emitter charge (turn-on)	Q_{ge}		-	20	-	
Gate to collector charge (turn-on)	Q_{gc}		-	24	-	
Turn-on switching loss	E_{on}	$V_{CC} = 300\text{ V}, I_C = 50\text{ A}, V_{GE} = 15\text{ V},$ $R_g = 4.7\text{ }\Omega, L = 500\text{ }\mu\text{H}, T_J = 25\text{ }^\circ\text{C}$	-	0.37	-	mJ
Turn-off switching loss	E_{off}		-	0.23	-	
Total switching loss	E_{tot}		-	0.70	-	
Turn-on switching loss	E_{on}		-	0.53	-	
Turn-off switching loss	E_{off}		-	0.31	-	
Total switching loss	E_{tot}		-	0.84	-	
Input capacitance	C_{ies}	$V_{CE} = 25\text{ V}$ $V_{GE} = 0\text{ V}, f = 1\text{ MHz}$ $T_J = 25\text{ }^\circ\text{C}$	-	3000	-	pF
Output capacitance	C_{oes}		-	50	-	
Reverse transfer capacitance	C_{res}		-	11	-	
Reverse bias safe operating area	RBSOA		$T_J = 175\text{ }^\circ\text{C}, I_C = 95\text{ A}, R_g = 4.7\text{ }\Omega, V_{GE} = 15\text{ V to } 0\text{ V}, V_{CC} = 300\text{ V}, V_p = 600\text{ V}$	Fullsquare		

DIODE SPECIFICATIONS ($T_J = 25\text{ }^\circ\text{C}$ unless otherwise specified)						
PARAMETER	SYMBOL	TEST CONDITIONS	MIN.	TYP.	MAX.	UNITS
Diode forward voltage drop	V_{FM}	$I_C = 50\text{ A}$	-	1.66	2.23	V
		$I_C = 50\text{ A}, T_J = 125\text{ }^\circ\text{C}$	-	1.43	-	
		$I_C = 50\text{ A}, T_J = 175\text{ }^\circ\text{C}$	-	1.32	-	
Diode reverse recovery time	t_{rr}	$V_R = 400\text{ V},$ $I_F = 30\text{ A},$ $di/dt = 1000\text{ A}/\mu\text{s}$	-	61	-	ns
Diode peak reverse current	I_{rr}		-	16	-	A
Diode recovery charge	Q_{rr}		-	400	-	nC
Diode reverse recovery time	t_{rr}	$V_R = 400\text{ V},$ $I_F = 30\text{ A},$ $di/dt = 1000\text{ A}/\mu\text{s}, T_J = 125\text{ }^\circ\text{C}$	-	68	-	ns
Diode peak reverse current	I_{rr}		-	33	-	A
Diode recovery charge	Q_{rr}		-	1300	-	nC

THERMAL AND MECHANICAL SPECIFICATIONS						
PARAMETER	SYMBOL	TEST CONDITIONS	MIN.	TYP.	MAX.	UNITS
Operating junction temperature range	T_J		-40	-	175	°C
Storage temperature range	T_{Stg}		-40	-	150	
Junction to case	IGBT	R_{thJC}	-	-	1.04	°C/W
	Diode				1.40	
Case to sink per module	R_{thCS}	Heatsink compound thermal conductivity = 1 W/mK	-	0.06	-	
Clearance		External shortest distance in air between 2 terminals	5.5	-	-	mm
Creepage		Shortest distance along external surface of the insulating material between 2 terminals	8	-	-	
Mounting torque		A mounting compound is recommended and the torque should be checked after 3 hours to allow for the spread of the compound. Lubricated threads.	3 ± 10 %			Nm
Weight			66			g

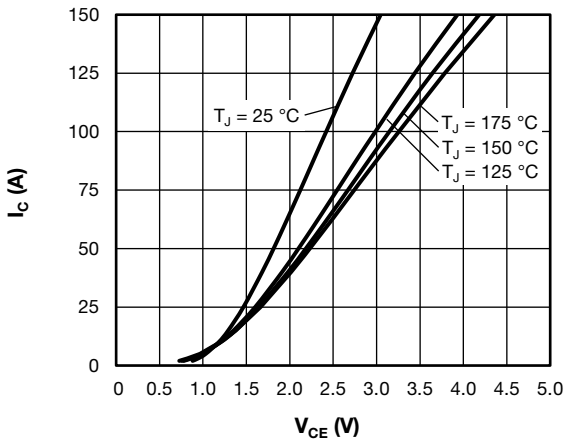


Fig. 1 - Typical Q1 to Q4 IGBT Output Characteristics, $V_{GE} = 15 V$

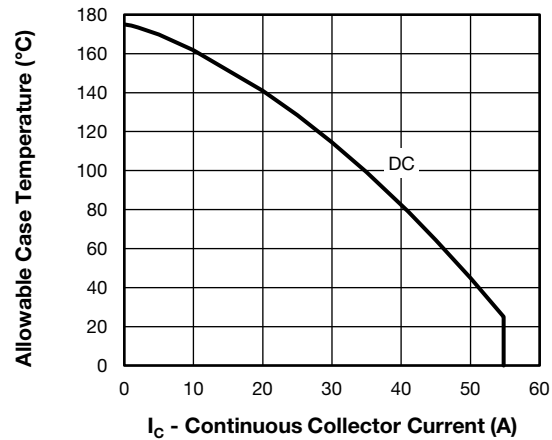


Fig. 3 - Maximum Q1 to Q4 IGBT Continuous Collector Current vs. Case Temperature

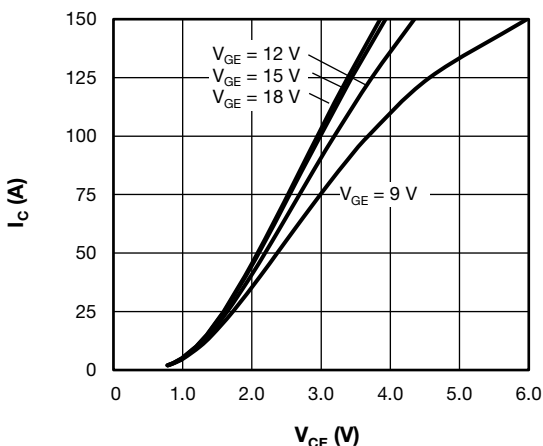


Fig. 2 - Typical Q1 to Q4 IGBT Output Characteristics, $T_J = 125 °C$

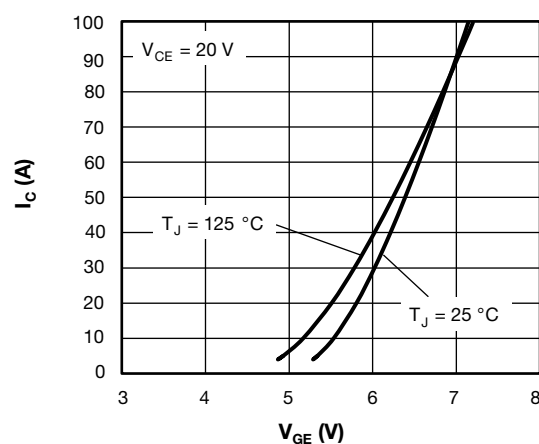


Fig. 4 - Typical Q1 to Q4 IGBT Transfer Characteristics

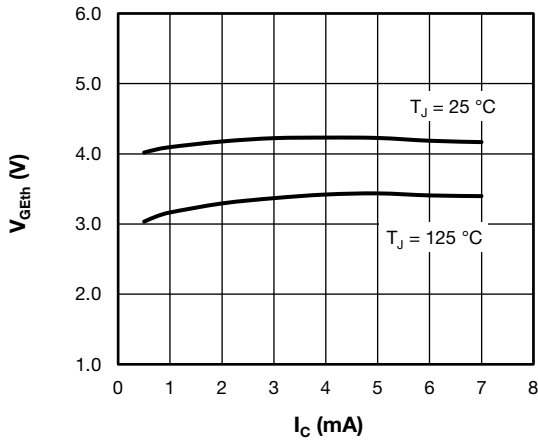


Fig. 5 - Typical Q1 to Q4 IGBT Gate Threshold Voltage

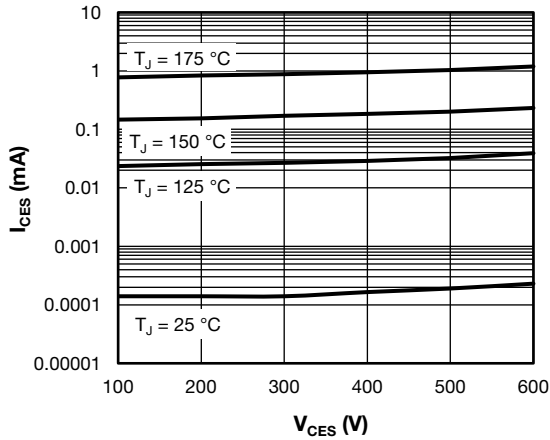


Fig. 6 - Typical Q1 to Q4 IGBT Zero Gate Voltage Collector Current

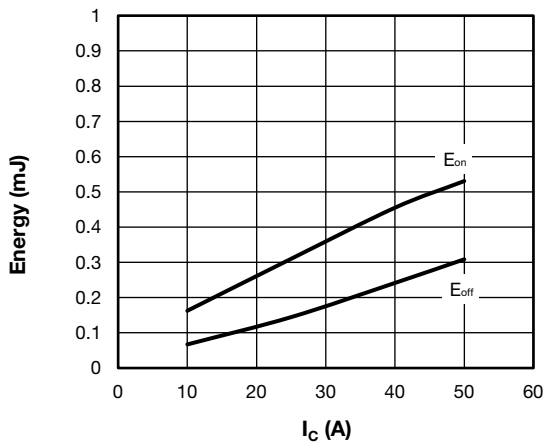


Fig. 7 - Typical Q1 to Q4 IGBT Energy Loss vs. I_C (with Antiparallel Diode)

$T_J = 125\text{ }^\circ\text{C}$, $V_{CC} = 300\text{ V}$, $R_g = 4.7\ \Omega$, $V_{GE} = +15\text{ V}/-15\text{ V}$, $L = 500\ \mu\text{H}$

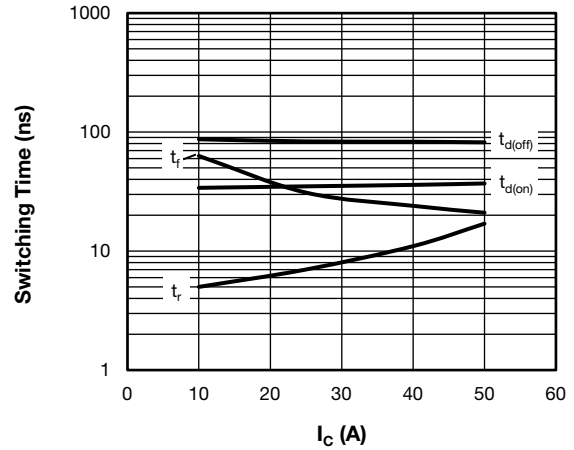


Fig. 8 - Typical Q1 to Q4 IGBT Switching Time vs. I_C (with Antiparallel Diode)

$T_J = 125\text{ }^\circ\text{C}$, $V_{CC} = 300\text{ V}$, $R_g = 4.7\ \Omega$, $V_{GE} = +15\text{ V}/-15\text{ V}$, $L = 500\ \mu\text{H}$

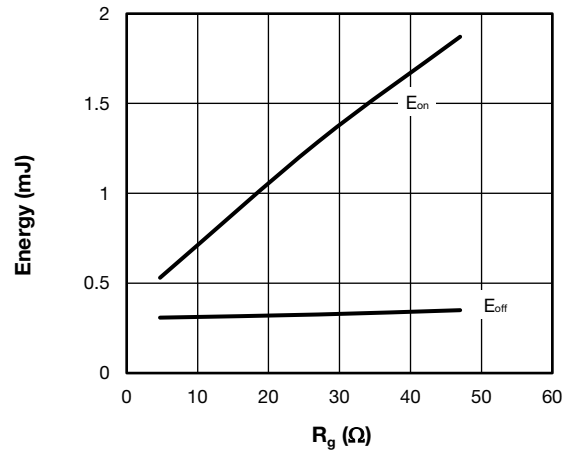


Fig. 9 - Typical Q1 to Q4 IGBT Energy Loss vs. R_g (with Antiparallel Diode)

$T_J = 125\text{ }^\circ\text{C}$, $V_{CC} = 300\text{ V}$, $I_C = 50\text{ A}$, $V_{GE} = +15\text{ V}/-15\text{ V}$, $L = 500\ \mu\text{H}$

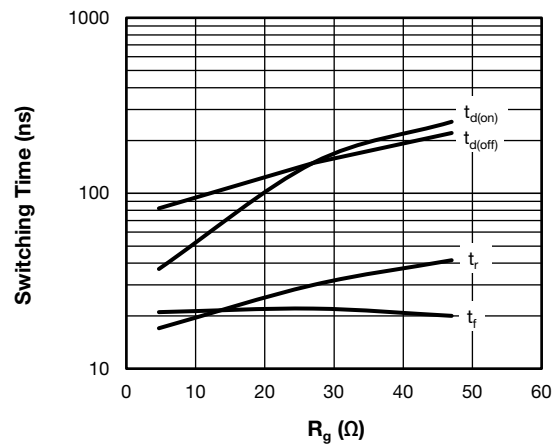


Fig. 10 - Typical Q1 to Q4 IGBT Switching Time vs. R_g (with Antiparallel Diode)

$T_J = 125\text{ }^\circ\text{C}$, $V_{CC} = 300\text{ V}$, $I_C = 50\text{ A}$, $V_{GE} = +15\text{ V}/-15\text{ V}$, $L = 500\ \mu\text{H}$

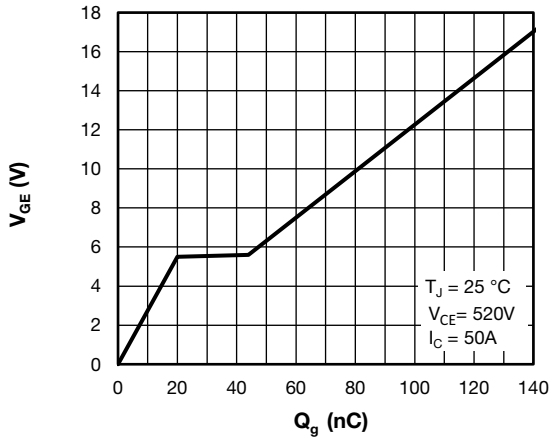


Fig. 11 - Typical Q1 to Q4 IGBT Gate Charge vs. Gate to Emitter Voltage

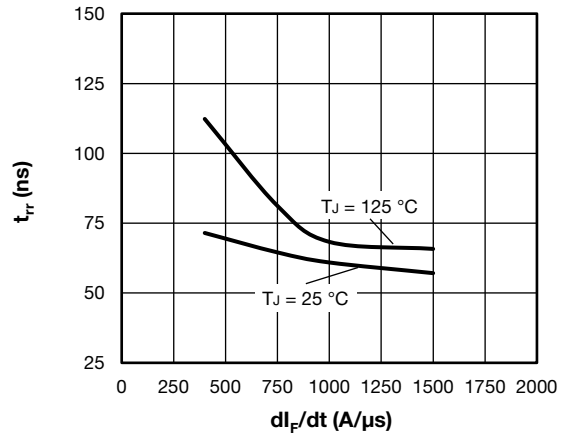


Fig. 14 - Typical D1 to D4 Antiparallel Diode Reverse Recovery Time vs. dI_F/dt
 $V_{rr} = 400\text{ V}$, $I_F = 30\text{ A}$

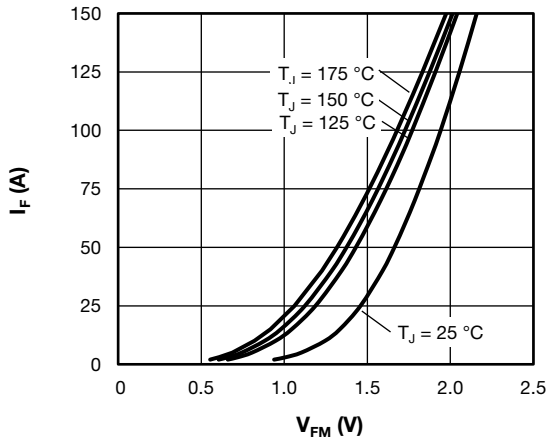


Fig. 12 - Typical D1 to D4 Antiparallel Diode Forward Characteristics

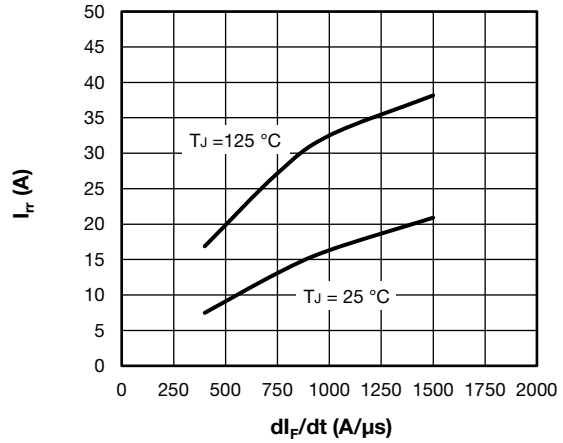


Fig. 15 - Typical D1 to D4 Antiparallel Diode Reverse Recovery Current vs. dI_F/dt
 $V_{rr} = 400\text{ V}$, $I_F = 30\text{ A}$

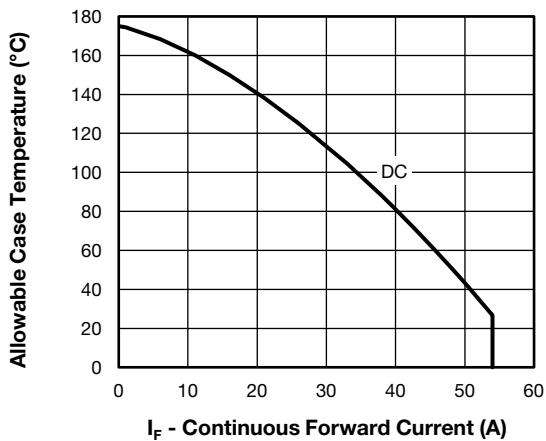


Fig. 13 - Maximum D1 to D4 Antiparallel Diode Continuous Collector Current vs. Case Temperature

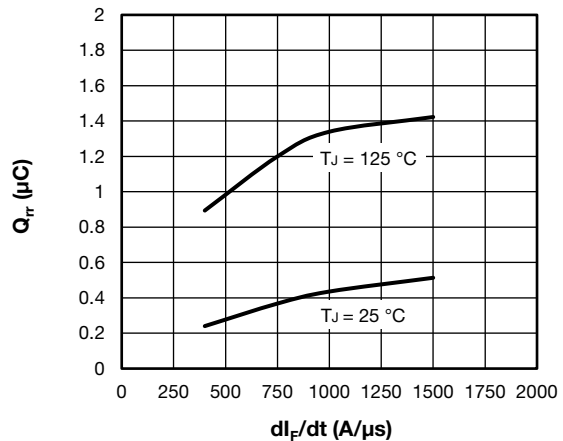


Fig. 16 - Typical D1 to D4 Antiparallel Diode Reverse Recovery Charge vs. dI_F/dt
 $V_{rr} = 400\text{ V}$, $I_F = 30\text{ A}$

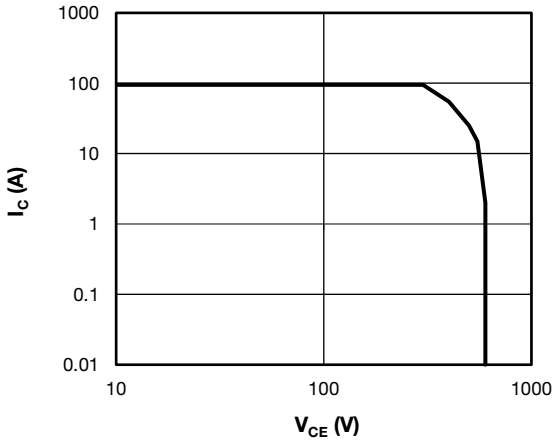


Fig. 17 - Q1 to Q4 IGBT Reverse BIAS SOA
 $T_J = 175\text{ }^\circ\text{C}$, $I_C = 95\text{ A}$, $R_g = 4.7\ \Omega$, $V_{GE} = +15\text{ V/0 V}$, $V_{CC} = 300\text{ V}$,
 $V_p = 600\text{ V}$

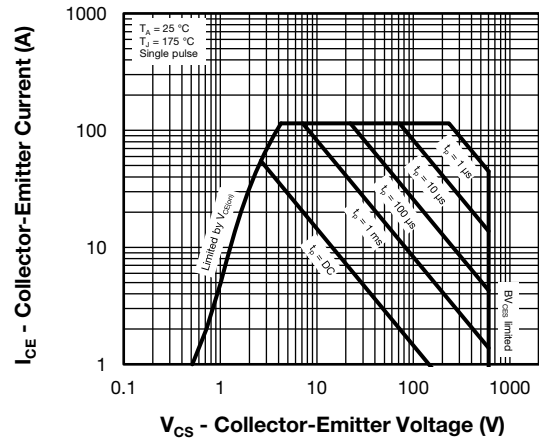


Fig. 18 - Q1 to Q4 IGBT Safe Operating Area

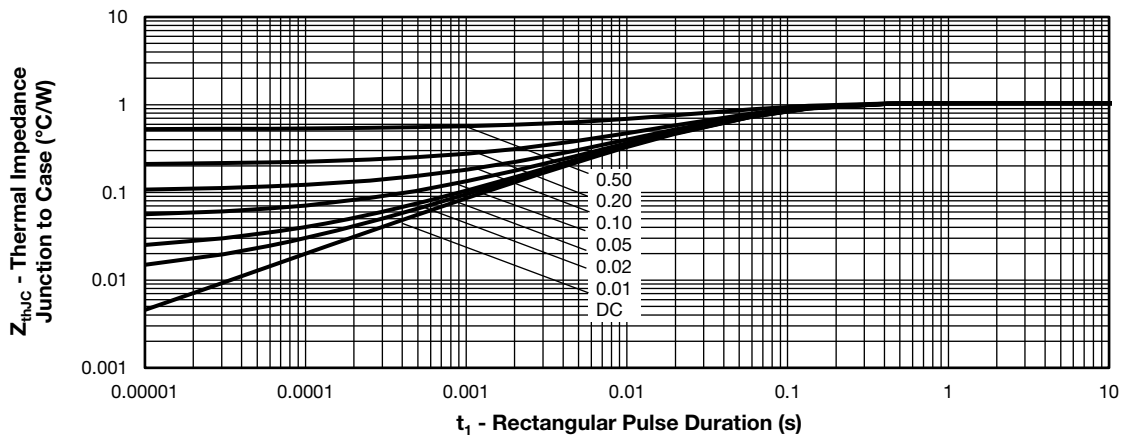


Fig. 19 - Maximum Thermal Impedance Z_{thJC} Characteristics - (Q1 to Q4 PT IGBT)

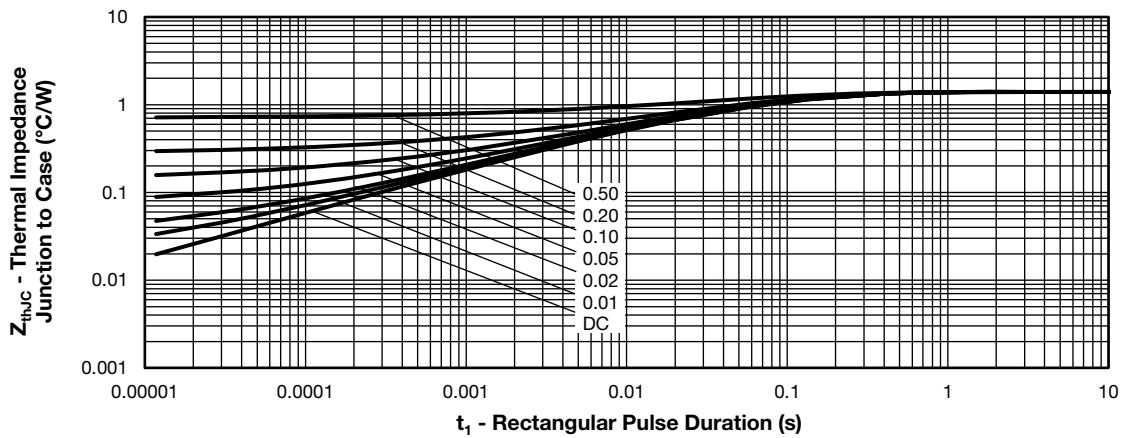


Fig. 20 - Maximum Thermal Impedance Z_{thJC} Characteristics - (D1 to D4 Antiparallel Diode)

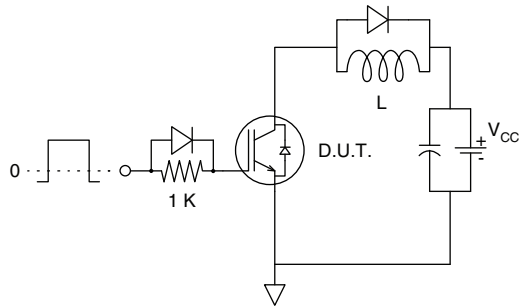


Fig. 21 - Gate Charge Circuit (Turn-Off)

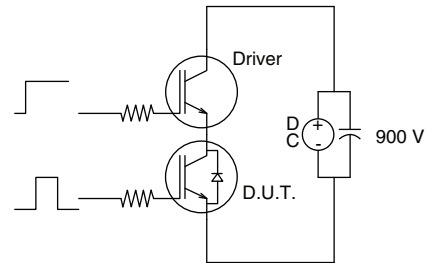


Fig. 23 - S.C. SOA Circuit

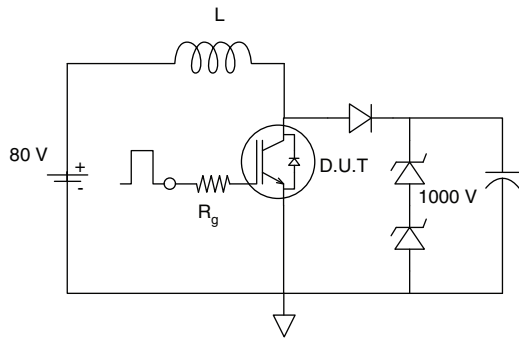


Fig. 22 - RBSOA Circuit

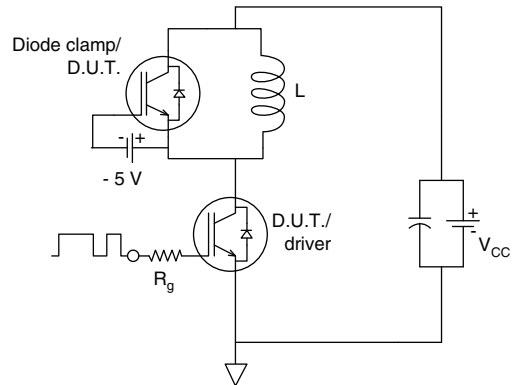


Fig. 24 - Switching Loss Circuit

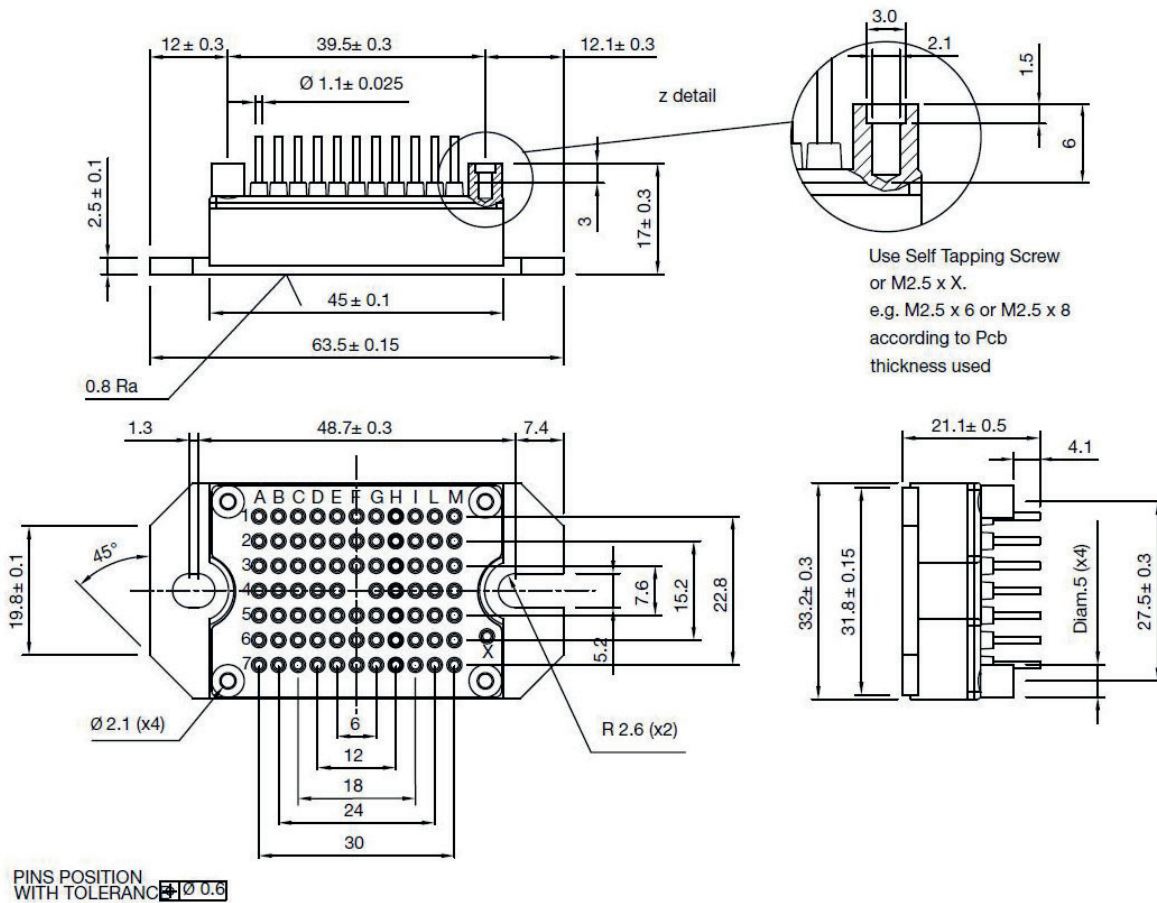
ORDERING INFORMATION TABLE

Device code	VS-	50	MT	060	T	F	T
	①	②	③	④	⑤	⑥	⑦

- 1** - Vishay Semiconductors product
- 2** - Current rating (50 = 50 A)
- 3** - Essential part number
- 4** - Voltage code (060 = 600 V)
- 5** - Speed / type (T = trench IGBT)
- 6** - Circuit configuration (F = full bridge)
- 7** - T = thermistor

CIRCUIT CONFIGURATION		
CIRCUIT	CIRCUIT CONFIGURATION CODE	CIRCUIT DRAWING
Full bridge IGBT	F	

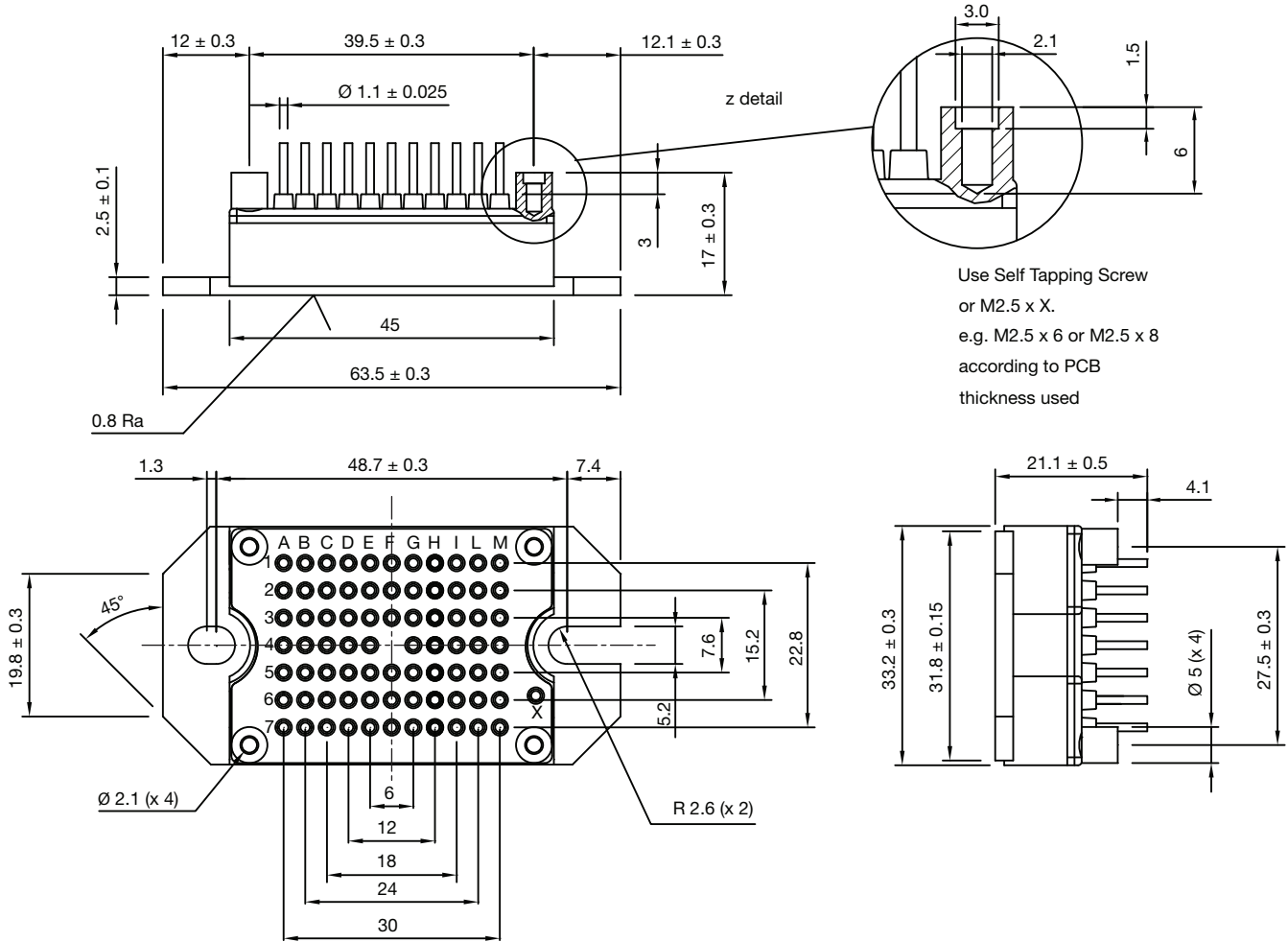
DIMENSIONS in millimeters





MTP - Full Pin

DIMENSIONS in millimeters



PINS POSITION
WITH TOLERANCE ± 0.06

Tolerance (unless other stated):

X = ± 0.3

X.X = ± 0.1

X.XX = ± 0.03



Disclaimer

ALL PRODUCT, PRODUCT SPECIFICATIONS AND DATA ARE SUBJECT TO CHANGE WITHOUT NOTICE TO IMPROVE RELIABILITY, FUNCTION OR DESIGN OR OTHERWISE.

Vishay Intertechnology, Inc., its affiliates, agents, and employees, and all persons acting on its or their behalf (collectively, "Vishay"), disclaim any and all liability for any errors, inaccuracies or incompleteness contained in any datasheet or in any other disclosure relating to any product.

Vishay makes no warranty, representation or guarantee regarding the suitability of the products for any particular purpose or the continuing production of any product. To the maximum extent permitted by applicable law, Vishay disclaims (i) any and all liability arising out of the application or use of any product, (ii) any and all liability, including without limitation special, consequential or incidental damages, and (iii) any and all implied warranties, including warranties of fitness for particular purpose, non-infringement and merchantability.

Statements regarding the suitability of products for certain types of applications are based on Vishay's knowledge of typical requirements that are often placed on Vishay products in generic applications. Such statements are not binding statements about the suitability of products for a particular application. It is the customer's responsibility to validate that a particular product with the properties described in the product specification is suitable for use in a particular application. Parameters provided in datasheets and / or specifications may vary in different applications and performance may vary over time. All operating parameters, including typical parameters, must be validated for each customer application by the customer's technical experts. Product specifications do not expand or otherwise modify Vishay's terms and conditions of purchase, including but not limited to the warranty expressed therein.

Hyperlinks included in this datasheet may direct users to third-party websites. These links are provided as a convenience and for informational purposes only. Inclusion of these hyperlinks does not constitute an endorsement or an approval by Vishay of any of the products, services or opinions of the corporation, organization or individual associated with the third-party website. Vishay disclaims any and all liability and bears no responsibility for the accuracy, legality or content of the third-party website or for that of subsequent links.

Except as expressly indicated in writing, Vishay products are not designed for use in medical, life-saving, or life-sustaining applications or for any other application in which the failure of the Vishay product could result in personal injury or death. Customers using or selling Vishay products not expressly indicated for use in such applications do so at their own risk. Please contact authorized Vishay personnel to obtain written terms and conditions regarding products designed for such applications.

No license, express or implied, by estoppel or otherwise, to any intellectual property rights is granted by this document or by any conduct of Vishay. Product names and markings noted herein may be trademarks of their respective owners.