



The DNA of tech.™



POD Specs Update for DPAK (TO-252AA) Package

Vishay's Diodes Division is updating the POD dimension tolerance of document # 95519 for the DPAK (TO-252AA) package. There is no change in the electrical, thermal, or other performance characteristics of the products, nor is there a change in manufacturing or actual dimensions. The affected products are listed below and include Schottky, FRED Pt®, and fast soft recovery rectifier diodes.

Technology	Package	Material
FRED Pt	DPAK (TO-252AA)	VS-4EWH02FNHM3
FRED Pt	DPAK (TO-252AA)	VS-4EWH02FNTRHM3
FRED Pt	DPAK (TO-252AA)	VS-4EWH02FNTRLHM3
FRED Pt	DPAK (TO-252AA)	VS-4EWH02FNTRRHM3
FRED Pt	DPAK (TO-252AA)	VS-5EWH06FNHM3
FRED Pt	DPAK (TO-252AA)	VS-5EWH06FNTRHM3
FRED Pt	DPAK (TO-252AA)	VS-5EWH06FNTRLHM3
FRED Pt	DPAK (TO-252AA)	VS-5EWH06FNTRRHM3
FRED Pt	DPAK (TO-252AA)	VS-6CWH02FNHM3
FRED Pt	DPAK (TO-252AA)	VS-6CWH02FNTRHM3
FRED Pt	DPAK (TO-252AA)	VS-6CWH02FNTRLHM3
FRED Pt	DPAK (TO-252AA)	VS-6CWH02FNTRRHM3
FRED Pt	DPAK (TO-252AA)	VS-6EWH06FNHM3
FRED Pt	DPAK (TO-252AA)	VS-6EWH06FNTRHM3
FRED Pt	DPAK (TO-252AA)	VS-6EWH06FNTRLHM3
FRED Pt	DPAK (TO-252AA)	VS-6EWH06FNTRRHM3
FRED Pt	DPAK (TO-252AA)	VS-6EWX06FNHM3
FRED Pt	DPAK (TO-252AA)	VS-6EWX06FNTRHM3
FRED Pt	DPAK (TO-252AA)	VS-6EWX06FNTRLHM3
FRED Pt	DPAK (TO-252AA)	VS-6EWX06FNTRRHM3
FRED Pt	DPAK (TO-252AA)	VS-6EWX06LHM3H
FRED Pt	DPAK (TO-252AA)	VS-8CWH02FNHM3
FRED Pt	DPAK (TO-252AA)	VS-8CWH02FNTRHM3
FRED Pt	DPAK (TO-252AA)	VS-8CWH02FNTRLHM3
FRED Pt	DPAK (TO-252AA)	VS-8CWH02FNTRRHM3
FRED Pt	DPAK (TO-252AA)	VS-8EWH06FNHM3
FRED Pt	DPAK (TO-252AA)	VS-8EWH06FNTRHM3
FRED Pt	DPAK (TO-252AA)	VS-8EWH06FNTRLHM3
FRED Pt	DPAK (TO-252AA)	VS-8EWH06FNTRRHM3
FRED Pt	DPAK (TO-252AA)	VS-MURD620CTHM3
FRED Pt	DPAK (TO-252AA)	VS-MURD620CTTRHM3
FRED Pt	DPAK (TO-252AA)	VS-MURD620CTTRLHM3
FRED Pt	DPAK (TO-252AA)	VS-MURD620CTTRRHM3
HEXFRED®	DPAK (TO-252AA)	VS-HFA04SD60SHM3
HEXFRED	DPAK (TO-252AA)	VS-HFA04SD60SLHM3
HEXFRED	DPAK (TO-252AA)	VS-HFA04SD60SRHM3
HEXFRED	DPAK (TO-252AA)	VS-HFA04SD60STRHM3
HPG - NI & DIE SALES	DPAK (TO-252AA)	VS-8EWF06SLHM3
HPG - NI & DIE SALES	DPAK (TO-252AA)	VS-8EWF12SLHM3



The DNA of tech.™

Fast Facts



Product Group: Vishay Diodes, DPAK (TO-252AA) / June, 2023

HPG - NI & DIE SALES	DPAK (TO-252AA)	VS-8EWS12SLHM3
HPG - NI & DIE SALES	DPAK (TO-252AA)	VS-8EWS16SLHM3
Schottky	DPAK (TO-252AA)	VS-10WQ045FNHM3
Schottky	DPAK (TO-252AA)	VS-10WQ045FNTRHM3
Schottky	DPAK (TO-252AA)	VS-10WQ045FNTRLHM3
Schottky	DPAK (TO-252AA)	VS-10WQ045FNTRRHM3
Schottky	DPAK (TO-252AA)	VS-12CWQ04FNHM3
Schottky	DPAK (TO-252AA)	VS-12CWQ04FNTRHM3
Schottky	DPAK (TO-252AA)	VS-12CWQ04FNTRLHM3
Schottky	DPAK (TO-252AA)	VS-12CWQ04FNTRRHM3
Schottky	DPAK (TO-252AA)	VS-12CWQ06FNHM3
Schottky	DPAK (TO-252AA)	VS-12CWQ06FNTRHM3
Schottky	DPAK (TO-252AA)	VS-12CWQ06FNTRLHM3
Schottky	DPAK (TO-252AA)	VS-12CWQ06FNTRRHM3
Schottky	DPAK (TO-252AA)	VS-12CWQ10FNHM3
Schottky	DPAK (TO-252AA)	VS-12CWQ10FNTRHM3
Schottky	DPAK (TO-252AA)	VS-12CWQ10FNTRLHM3
Schottky	DPAK (TO-252AA)	VS-12CWQ10FNTRRHM3
Schottky	DPAK (TO-252AA)	VS-30WQ04FNHM3
Schottky	DPAK (TO-252AA)	VS-30WQ04FNTRHM3
Schottky	DPAK (TO-252AA)	VS-30WQ04FNTRLHM3
Schottky	DPAK (TO-252AA)	VS-30WQ04FNTRRHM3
Schottky	DPAK (TO-252AA)	VS-30WQ06FNHM3
Schottky	DPAK (TO-252AA)	VS-30WQ06FNTRHM3
Schottky	DPAK (TO-252AA)	VS-30WQ06FNTRLHM3
Schottky	DPAK (TO-252AA)	VS-30WQ06FNTRRHM3
Schottky	DPAK (TO-252AA)	VS-30WQ10FNHM3
Schottky	DPAK (TO-252AA)	VS-30WQ10FNTRHM3
Schottky	DPAK (TO-252AA)	VS-30WQ10FNTRLHM3
Schottky	DPAK (TO-252AA)	VS-30WQ10FNTRRHM3
Schottky	DPAK (TO-252AA)	VS-50WQ03FNHM3
Schottky	DPAK (TO-252AA)	VS-50WQ03FNTRHM3
Schottky	DPAK (TO-252AA)	VS-50WQ03FNTRLHM3
Schottky	DPAK (TO-252AA)	VS-50WQ03FNTRRHM3
Schottky	DPAK (TO-252AA)	VS-50WQ04FNHM3
Schottky	DPAK (TO-252AA)	VS-50WQ04FNTRHM3
Schottky	DPAK (TO-252AA)	VS-50WQ04FNTRLHM3
Schottky	DPAK (TO-252AA)	VS-50WQ04FNTRRHM3
Schottky	DPAK (TO-252AA)	VS-50WQ06FNHM3
Schottky	DPAK (TO-252AA)	VS-50WQ06FNTRHM3
Schottky	DPAK (TO-252AA)	VS-50WQ06FNTRLHM3
Schottky	DPAK (TO-252AA)	VS-50WQ06FNTRRHM3
Schottky	DPAK (TO-252AA)	VS-50WQ10FNHM3
Schottky	DPAK (TO-252AA)	VS-50WQ10FNTRHM3
Schottky	DPAK (TO-252AA)	VS-50WQ10FNTRLHM3
Schottky	DPAK (TO-252AA)	VS-50WQ10FNTRRHM3
Schottky	DPAK (TO-252AA)	VS-6CWQ04FNHM3
Schottky	DPAK (TO-252AA)	VS-6CWQ04FNTRHM3
Schottky	DPAK (TO-252AA)	VS-6CWQ04FNTRLHM3

© 2023 VISHAY INTERTECHNOLOGY, INC. ALL RIGHTS RESERVED.

THIS DOCUMENT IS SUBJECT TO CHANGE WITHOUT NOTICE. THE PRODUCTS DESCRIBED HEREIN AND THIS DOCUMENT ARE SUBJECT TO SPECIFIC DISCLAIMERS, SET FORTH AT www.vishay.com/doc?91000



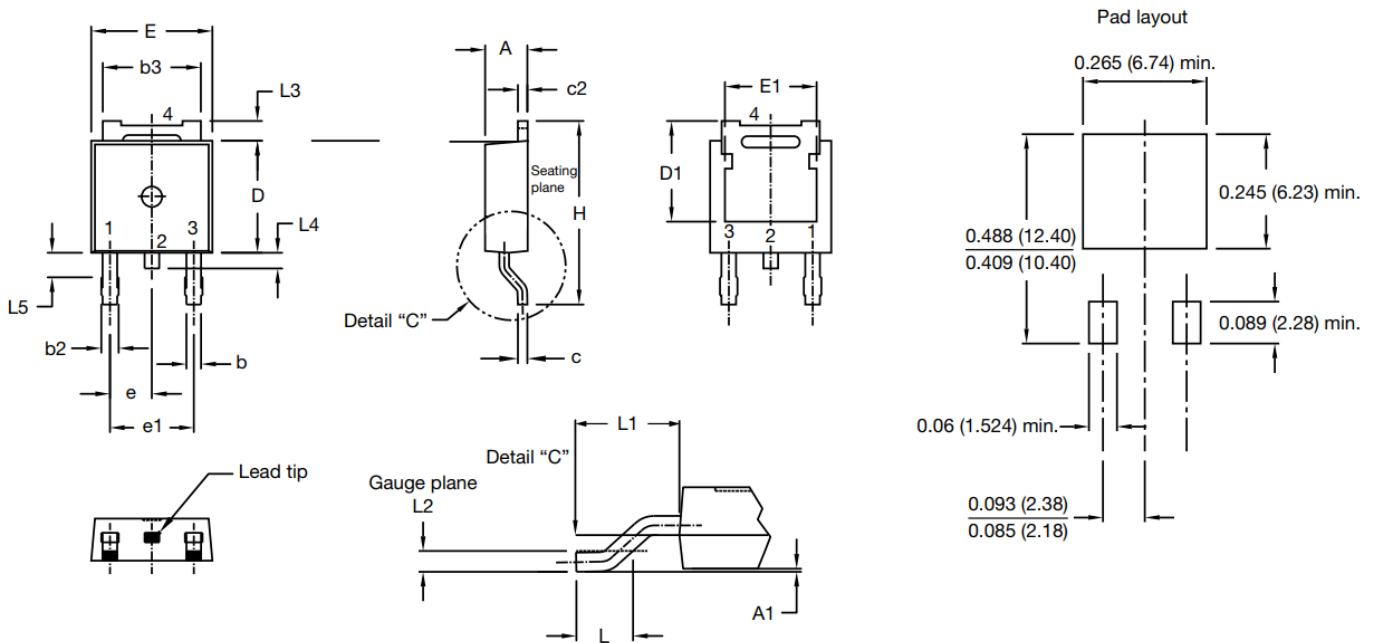
The DNA of tech.™



Schottky	DPAK (TO-252AA)	VS-6CWQ04FNTRRH3
Schottky	DPAK (TO-252AA)	VS-6CWQ06FNHM3
Schottky	DPAK (TO-252AA)	VS-6CWQ06FNTRHM3
Schottky	DPAK (TO-252AA)	VS-6CWQ06FNTRLHM3
Schottky	DPAK (TO-252AA)	VS-6CWQ06FNTRRH3
Schottky	DPAK (TO-252AA)	VS-6CWQ10FNHM3
Schottky	DPAK (TO-252AA)	VS-6CWQ10FNTRHM3
Schottky	DPAK (TO-252AA)	VS-6CWQ10FNTRLHM3
Schottky	DPAK (TO-252AA)	VS-6CWQ10FNTRRH3

Details of the changes to outline dimensions (doc [# 95519](#)) are summarized below.

Dim. Ref	FROM				TO			
	Current spec POD				New spec POD			
	Min. (mm)	Max. (mm)	Min. (in)	Max. (in)	Min. (mm)	Max. (mm)	Min. (in)	Max. (in)
D1	5.21	-	0.205	-	4.93	-	0.194	-
Note (5)	Outline conforms to JEDEC® outline TO-252AA				Outline conforms to JEDEC® outline TO-252AA, except D1 dimension			





The DNA of tech.™



Affected Products

Refer to the attached P/N list

Planned Implementation

Effective immediately

Useful Link

<https://www.vishay.com/doc?95519>

Issued By

E. Hwang, Product Marketing – Rectifiers (Schottky)
F. Bertuccio, Product Marketing – Rectifiers (New Input)
Alessandro Bonaudo, Product Marketing Director – Rectifiers (Ultrafast)

For further information, please contact your regional Vishay office.

Contact Information		
<p>The Americas</p> <p>Vishay Semiconductors 150 Motor Parkway, Suite 101E Hauppauge, NY 11788 USA</p> <p>Phone: +1 631 300 3816 Fax: +1 631 300 3843 Diodes-Americas@vishay.com</p>	<p>Europe</p> <p>Vishay Semiconductors Theresienstrasse 2 D-74072 Heilbronn, Germany</p> <p>Phone: +49 7131 7498 656 (or 715) Fax: +49 7131 67 2938 Diodes-Europe@vishay.com</p>	<p>Asia / Pacific</p> <p>Vishay Semiconductors 15D, Sun Tong Infoport Plaza 55 Huai Hai West Road Shanghai, China</p> <p>Phone: +86 138 1787 2112 Fax: +86 21 5258 7979 Diodes-Asia@vishay.com</p>